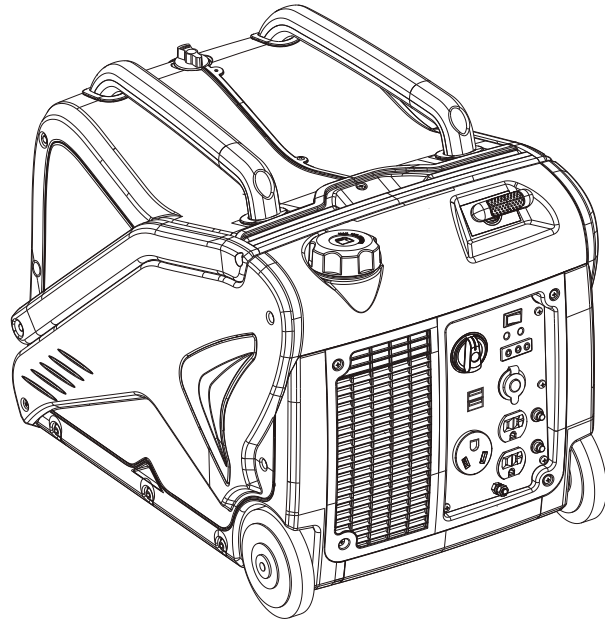




# 3100W INVERTER GENERATOR



Model # 56310i  
[bit.ly/WENvideo](http://bit.ly/WENvideo)

## IMPORTANT:

Your new tool has been engineered and manufactured to WEN's highest standards for dependability, ease of operation, and operator safety. When properly cared for, this product will supply you years of rugged, trouble-free performance. Pay close attention to the rules for safe operation, warnings, and cautions. If you use your tool properly and for intended purpose, you will enjoy years of safe, reliable service.

## NEED HELP? CONTACT US!

Have product questions? Need technical support?  
Please feel free to contact us at:



**800-232-1195** (M-F 8AM-5PM CST)



**techsupport@wenproducts.com**



**WENPRODUCTS.COM**



## TABLE OF CONTENTS

---

Generator Identification.....	3
Service Record .....	3
Introduction .....	4
Safety Information .....	4
Generator Components .....	7
Generator Preparation .....	8
Starting the Generator .....	10
Stopping the Generator .....	12
Subsequent Starting of the Generator .....	12
Using the Generator .....	13
Maintenance & Care .....	15
Storage & Transport .....	19
Specifications .....	19
Troubleshooting .....	20
Exploded View and Parts List .....	21
Wiring Diagram .....	36
Warranty Statement .....	37

## GENERATOR IDENTIFICATION

If assistance for information or service is required, please contact the Customer Service Help Line by calling 800-232-1195; customer will be asked to provide generator information when calling.

Refer to the illustration below for the location of the serial number. Record generator information in the spaces provided below.

DATE OF PURCHASE: \_\_\_\_\_

PURCHASED FROM: \_\_\_\_\_

GENERATOR MODEL NUMBER: \_\_\_\_\_

ENGINE SERIAL NUMBER: \_\_\_\_\_



Serial Number

## SERVICE RECORD

Record Service Dates:

	Date	Date	Date	Date	Date	Date
Change Oil						
Change Spark Plug						
Clean Fuel Tank						
Clean Air Cleaner						

NOTE: WE SUGGEST RUNNING YOUR GENERATOR AT LEAST ONCE A MONTH IN ORDER TO MAXIMIZE THE LIFESPAN OF THE GENERATOR.

# INTRODUCTION

---

Thank you for purchasing a WEN Generator. This manual provides information regarding the safe operation and maintenance of this product. Every effort has been made to ensure the accuracy of the information in this manual. WEN reserves the right to change this product, manual and specifications at any time without prior notice.

Please keep this manual available to all users during the entire life of the generator.



This manual contains special messages to bring attention to potential safety concerns and generator damage as well as helpful operating and servicing information. Please read all the information carefully to avoid injury and machine damage.

## QUESTIONS? PROBLEMS?

In order to answer questions and solve problems in the most efficient and speedy manner, contact Customer Service at (800) 232-1195, M-F 8-5 CST

## NOTICE REGARDING EMISSIONS

Engines that are certified to comply with U.S. EPA emission regulations for SORE (Small Off Road Equipment), are certified to operate on regular unleaded gasoline, and may include the following emission control systems: (EM) Engine Modifications and (TWC) Three-Way Catalyst (if so equipped).

# SAFETY INFORMATION

---

Before operating this generator read and observe all warnings, cautions, and instructions both on the generator and in this owner's manual.

NOTE: The following safety information is not meant to cover all possible conditions and situations that may occur.

This safety alert symbol is used to identify safety information about hazards that can result in personal injury.



A signal word (**DANGER**, **WARNING**, or **CAUTION**) is used with the alert symbol to indicate the likelihood and the potential severity of injury. In addition, a hazard symbol may be used to represent the type of hazard.

**DANGER** indicates a hazard, which, if not avoided, will result in death or serious injury.

**WARNING** indicates a hazard, which, if not avoided, could result in death or serious injury.

**CAUTION** indicates a hazard, which, if not avoided, might result in minor or moderate injury.

**CAUTION** when used without the alert symbol, indicates a situation that could result in damage to the engine or generator.

## SAFETY INFORMATION

For any questions regarding the hazard and safety notices listed in this manual or on the product, please call (800) 232-1195 M-F 8-5 CST before using the generator.



### **DANGER: CARBON MONOXIDE**

Using a generator indoors **CAN KILL YOU IN MINUTES**. Generator exhaust contains carbon monoxide (CO). This is a poison gas you cannot see or smell. If you can smell the generator exhaust, you are breathing CO. But even if you cannot smell the exhaust, you could be breathing CO.

**NEVER** use a generator inside homes, garages, crawl spaces, or other partially enclosed areas. Deadly levels of carbon monoxide can build up in these areas. Using a fan or opening windows and doors does **NOT** supply enough fresh air. **ONLY** use a generator outside and far away from windows, doors, and vents. These openings can pull in generator exhaust.

Even if you use a generator correctly, CO may leak into the home. **ALWAYS** use a battery-powered or battery-backup CO alarm in the home. If you start to feel sick, dizzy, or weak after the generator has been running, move to fresh air **RIGHT AWAY**. See a doctor. You may have carbon monoxide poisoning.



**WARNING:** The exhaust from this product contains chemicals known to the State of California to cause cancer, birth defects, or other reproductive harm.



**WARNING:** This generator may emit highly flammable and explosive gasoline vapors, which can cause severe burns or even death if ignited. A nearby open flame can lead to explosion even if it isn't directly in contact with gasoline.

### **GENERATOR SAFETY RULES:**

- 1) Do not operate near open flame.
- 2) Do not smoke near generator.
- 3) Always operate on a firm, level surface.
- 4) Always turn generator off before refueling. Allow generator to cool for at least 2 minutes before removing fuel cap. Loosen cap slowly to relieve pressure in tank.
- 5) Do not overfill fuel tank. Gasoline may expand during operation. Do not fill to the top of the tank. Allow for expansion.
- 6) Always check for spilled fuel before operating.
- 7) Empty fuel tank before storing or transporting the generator.
- 8) Do not use in rainy conditions.
- 9) **ALWAYS** ground the generator before using it (see the "Ground the Generator" portion of the "Generator Preparation" section).
- 10) Generator should only be plugged into electrical devices, either directly or with an extension cord. **NEVER** connect to a building's electrical system without a qualified electrician. Such connections must comply with local electrical laws and codes. Failure to comply can create a back-feed, which may result in serious injury or death to utility workers.
- 11) Use a ground fault circuit interrupter (GFCI) in highly conductive areas such as metal decking or steel work. GFCIs are available in-line with some extension cords.
- 12) Do not touch bare wires or receptacles (outlets).
- 13) Do not allow children or non-qualified persons to operate the generator.

# SAFETY INFORMATION

---

## GENERATOR SAFETY RULES (CONTINUED):

- 14) Do not touch hot surfaces. Pay attention to warning labels on the generator identifying hot parts of the machine.
- 15) Allow generator to cool down after use before touching engine or areas of the generator that become hot during use.
- 16) Only use generator for its intended purposes.
- 17) Operate only on dry, level surfaces.
- 18) Allow generator to run for several minutes before connecting electrical devices.
- 19) Shut off and disconnect any malfunctioning devices from generator.
- 20) Do not exceed the wattage capacity of the generator by plugging in more electrical devices than the unit can handle.
- 21) Do not turn on electrical devices until after they are connected to the generator.
- 22) Turn off all connected electrical devices before stopping the generator.
- 23) Turn the engine switch to "OFF" position when the engine is not running.

**CAUTION:** Misuse of this generator can damage it or shorten its life.



**WARNING:** This generator produces heat when running. Temperatures near exhaust can exceed 150° F (65° C).

**SAVE THESE INSTRUCTIONS** - This manual contains important instructions for the WEN generator that should be followed during installation and maintenance of the generator.

Generators vibrate in normal use. During and after the use of the generator, inspect both the generator as well as extension and power supply cords for damage resulting from vibration. Have damaged items repaired or replaced as necessary. Do not use plugs or cords that show signs of damage such as broken or cracked insulation.

For power outages, permanently installed stationary generators are better suited for providing backup power to the home. Even a properly connected portable generator can become overloaded. This may result in overheating or stressing of the components, possibly leading to a generator failure.

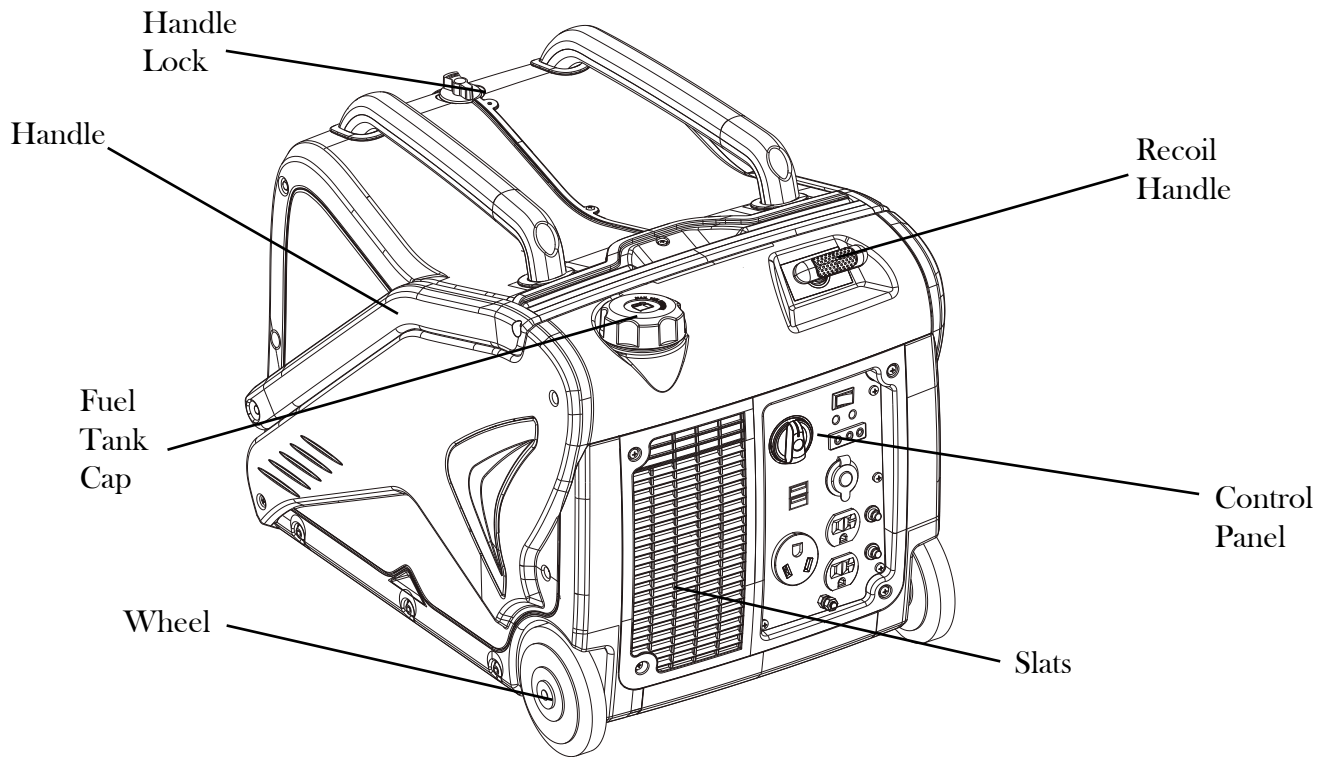


**WARNING:** If this generator is used as a supply for a building's wiring system, the generator must be installed by a qualified electrician and connected to a transfer switch as a separately derived system in accordance with the National Electrical Code, NFPA 70. The generator shall be connected to a transfer switch that switches all conductors excluding the equipment grounding conductor. The frame of the generator shall be connected to an approved grounding electrode.

## GENERATOR COMPONENTS

---

Use the illustrations below to become familiar with the locations and functions of the various components and controls of this generator.



# GENERATOR PREPARATION

## USING THE GENERATOR FOR THE FIRST TIME

**CAUTION:** The following section describes the necessary steps to prepare the generator for use. If after reading this section, you are unsure about how to perform any of the steps please call (800) 232-1195 M-F 8-5 CST for customer service. Failure to perform these steps properly can damage the generator or shorten its life.

### STEP 1 - ADD OIL

The generator is shipped without oil. User must add the proper amount of oil before operating the generator for the first time. The oil capacity of the engine crankcase is 0.58 quarts (0.55 liters). For general use (above 40° F), we recommend 30W, 4-stroke engine oil.

To add oil, follow these steps:

Note: make sure the generator is on a level surface. Tilting the generator to assist in filling will cause oil to flow into the engine areas and will cause damage. Keep the generator level!

1. Remove the side cover of the generator that features the small oil label on it (same side as recoil starter) using a screwdriver.

2. Remove the dipstick from the engine (Fig. 2).

3. Add oil slowly, being careful not to overfill the unit. Fill the crank case to the upper fill line so the oil lands about halfway up the dipstick threads (Fig. 2).

4. To check the oil level, wipe the dipstick with a clean rag. Insert the dipstick into the oil fill opening without screwing it in. Remove the dipstick to check the oil mark.

5. Slowly add more oil and repeat step 4 until the oil mark reaches to the top of the dipstick (Fig. 2). Do not overfill the crankcase. The generator is equipped with a low-oil sensor and will not start without a sufficient amount of oil.

6. Check for oil leaks and firmly tighten the dipstick. Replace the side panel upon completion.

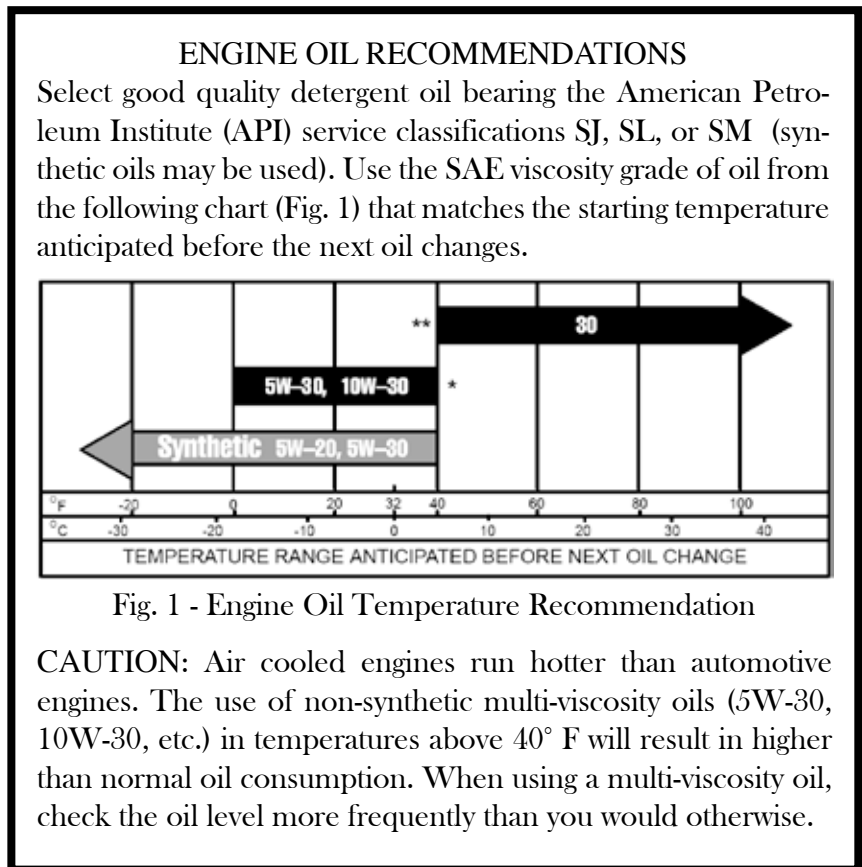


Fig. 1 - Engine Oil Temperature Recommendation

**CAUTION:** Air cooled engines run hotter than automotive engines. The use of non-synthetic multi-viscosity oils (5W-30, 10W-30, etc.) in temperatures above 40° F will result in higher than normal oil consumption. When using a multi-viscosity oil, check the oil level more frequently than you would otherwise.

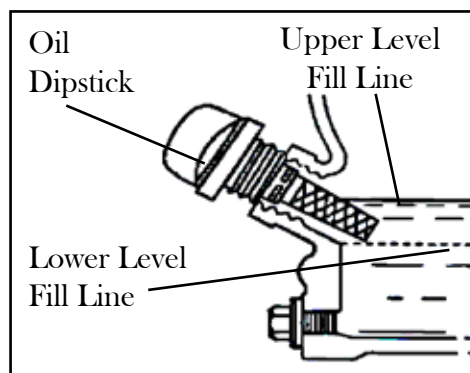


Fig. 2 - Oil Fill Opening, Dipstick and Oil Level



# GENERATOR PREPARATION



**WARNING:** This generator may emit highly flammable and explosive gasoline vapors, which can cause severe burns or even death if ignited. A nearby open flame can lead to explosion even if not directly in contact with gasoline.

## Step 2 - ADD GASOLINE

Use fresh (within 30 days from purchase), lead-free gasoline with a minimum of 87 octane rating. Do not mix oil with gasoline.

To add gasoline, follow these steps:

1. Make sure the generator is on a level surface.
2. Unscrew fuel cap and set aside.

**NOTE:** The fuel cap may be tight and hard to unscrew.

3. Slowly add unleaded gasoline to the fuel tank. Be careful not to overfill. The capacity of the fuel tank is 1.85 gallons.

**NOTE:** Do not fill the fuel tank to the very top. Gasoline will expand and spill over during use even with the fuel cap in place.

4. Reinstall fuel cap and wipe clean any spilled gasoline with a dry cloth.

## STEP 3 - GROUND THE GENERATOR

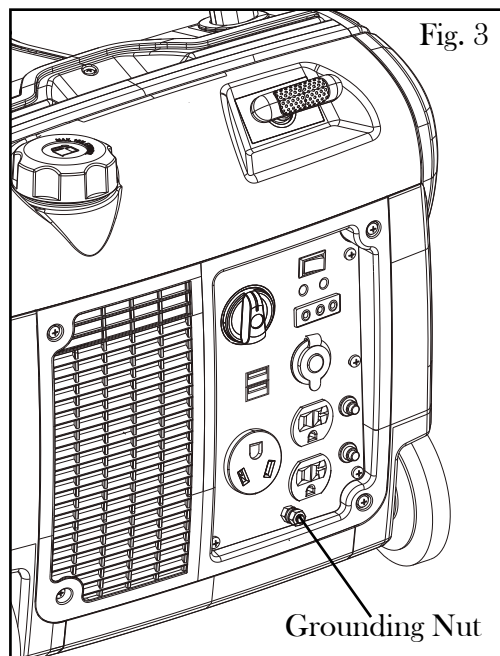
Ground the generator by tightening the grounding nut on the front control panel against a grounding wire (Fig. 3). A generally acceptable grounding wire is a No. 12 AWG (American Wire Gauge) stranded copper wire. This grounding wire should be connected at the other end to a copper, brass, or steel-grounding rod that is driven into the earth. Wire and grounding rods are not included with the generator.

Grounding codes can vary by location. Contact a local electrician to check the area codes.

**NOTE:** After completing the above preparation, the generator is ready to be started.

### IMPORTANT:

- Never use an oil/gasoline mixture.
- Never use old gasoline.
- Avoid getting dirt or water into the fuel tank.
- Gasoline can age in the tank and make starting difficult. Never store generator for extended periods of time with fuel in the tank.



**WARNING:** Failure to properly ground the generator increases your risk of electric shock.

## STARTING THE GENERATOR

Before starting the generator, make sure you have read and performed the steps in the “Generator Preparation” section of this manual. If you are unsure about how to perform any of the steps in this manual please call (800) 232-1195 M-F 8-5 CST for customer service.



**DANGER: CARBON MONOXIDE - USING A GENERATOR INDOORS CAN KILL YOU IN MINUTES.**

Using a generator indoors **CAN KILL YOU IN MINUTES**. Generator exhaust contains carbon monoxide (CO). This is a poison gas you cannot see or smell. If you can smell the generator exhaust, you are breathing CO. But even if you cannot smell the exhaust, you could be breathing CO.

**NEVER** use a generator inside homes, garages, crawl spaces, or other partially enclosed areas. Deadly levels of carbon monoxide can build up in these areas. Using a fan or opening windows and doors does **NOT** supply enough fresh air. **ONLY** use a generator outside and far away from windows, doors, and vents. These openings can pull in generator exhaust.

Even if you use a generator correctly, CO may leak into the home. **ALWAYS** use a battery-powered or battery-backup CO alarm in the home. If you start to feel sick, dizzy, or weak after the generator has been running, move to fresh air **RIGHT AWAY**. See a doctor. You may have carbon monoxide poisoning.



**WARNING:** The exhaust from this product contains chemicals known to the State of California to cause cancer, birth defects, or other reproductive harm.



**WARNING:** This generator may emit highly flammable and explosive gasoline vapors, which can cause severe burns or even death if ignited. A nearby open flame can lead to explosion even if it isn't directly in contact with gasoline.



**WARNING:** This generator produces powerful voltage, which can result in electrocution.

**ALWAYS** ground the generator before using it (see the “Ground the Generator” portion of the “Generator Preparation” section).

Generator should only be plugged into electrical devices, either directly or with an extension cord. **NEVER** connect to a building electrical system without a qualified electrician. Such connections must comply with local electrical laws and codes. Failure to comply can create a back-feed, which may result in serious injury or death to utility workers.

Use a ground fault circuit interrupter (GFCI) in highly conductive areas such as metal decking or steel work. GFCIs are available in-line with some extension cords.

Do not use in rainy or wet conditions. Do not touch bare wires or receptacles (outlets). Do not allow children or non-qualified persons to operate.

**CAUTION:** Disconnect all electrical loads from the generator before attempting to start.

# STARTING THE GENERATOR



Fig. 4A



Fig. 4B



Fig. 4C



Fig. 4D

## STARTING THE ENGINE (FIG. 4)

To start the generator, perform the following steps:

1. Unplug all electrical devices from the generator during starting. Otherwise it can be difficult to start the engine.
2. To maximize safety, make sure the generator is properly grounded (Refer to “Ground the Generator”).
3. Check the oil and fuel levels.
4. Turn the ECO-MODE switch to “OFF.”
5. Open vacuum relief valve on top of fuel cap (Figure 4A). Rotate clockwise to the “ON” position.
6. Turn the 3-in-1 switch to the “CHOKE” position (Figure 4B).
7. Pull on the recoil starter handle slowly until a slight resistance is felt, then pull quickly to start the engine. Return cord gently into the recoil starter. Never allow the cord to snap back.
8. Once the engine has started, slowly turn the 3-in-1 switch to the “ON” position (Figure 4C).
9. To turn the generator off, turn the knob to the OFF position (Figure 4E).

Allow the generator to run for several minutes before attempting to connect any electrical devices. This allows the generator to stabilize its speed and temperature.

**NOTE:** Turn the knob to the Fuel Shut-off Position (Figure 4D) in order to stop the flow of fuel from the gas tank to the engine.

## ECO-MODE IDLE SWITCH

This generator is equipped with an Eco-Mode Idle Control Switch. Engaging the switch automatically adjusts the engine to match the load. When the electrical load changes, the generator engine will automatically speed up and slow down as needed. This reduces fuel consumption and noise levels. Keep this switch engaged when the power load requirement is less than 1000W. Do not engage the Idle Control Switch when the total load is more than 1000W. The generator engine must run at full speed to supply power for anything over 1000W.



Fig. 4E

# STOPPING THE GENERATOR

---

## TO STOP THE GENERATOR

1. Turn off all electrical devices prior to unplugging them from the generator. Unplugging running devices can cause damage to the generator.
2. Turn the 3-in-1 knob to the “OFF” position (Fig. 4E).
3. Close the vacuum relief valve on top of fuel cap (Fig. 4A). Rotate counterclockwise to the “OFF” position.



**WARNING:** Allow the generator to cool for several minutes before touching areas that become hot during use.

**CAUTION:** Allowing gasoline to sit in the fuel tank for long periods of time can make it difficult to start the generator in the future. Never store the generator for extended periods of time with fuel in the fuel tank. Refer to Generator Storage Section.

## SUBSEQUENT STARTING OF THE GENERATOR

---

If this is not the first time using the generator, the user should take the following steps to prepare it for operation.

**IMPORTANT:** At this point the user should be familiar with the procedures described in the sections titled “Starting the Generator” and “Generator Preparation.” If the user has not yet read these sections, go back and read them now.

### Step 1 - CHECK THE OIL

Oil consumption is normal during generator use. The generator is equipped with a low oil pressure shutoff to protect it from damage. The oil level of the engine should be checked before each use to ensure that the engine crankcase contains sufficient lubricant.

To check or add oil, follow these steps:

1. Make sure the generator is on a level surface. Access the oil dipstick by removing the side panel’s oil cover using a coin.
2. Remove the oil filler/dipstick cap and check the oil level.
3. If oil level is below the second thread from the lip of the oil fill opening, slowly add oil until the engine crankcase is filled.
4. Reinstall and tighten oil cap before starting the engine.

#### IMPORTANT:

- Use only UNLEADED gasoline.
- Do not use old gasoline.
- Never use an oil/gasoline mixture.
- Avoid getting dirt or water into the fuel tank.

### Step 2 - CHECK THE FUEL LEVEL

Before starting the generator, check to see that there is sufficient gasoline in the fuel tank. Add additional gasoline as necessary but leave sufficient room in the tank for expansion.

## SUBSEQUENT STARTING OF THE GENERATOR

---

### Step 3 - GROUND THE GENERATOR



**WARNING:** Failure to properly ground the generator increases the chances of electric shock.

Ground the generator by tightening the grounding nut on the front control panel against a grounding wire (Fig. 3). A generally acceptable grounding wire is a No. 12 AWG (American Wire Gauge) stranded copper wire. This grounding wire should be connected at the other end to a copper, brass, or steel-grounding rod that is driven into the earth. Wire and grounding rod are not included in generator contents. Grounding codes can vary by location. Contact a local electrician for area codes.

## USING THE GENERATOR

---

Before connecting electrical devices, allow the generator to run for a few minutes to stabilize the speed and voltage output.

**CAUTION:** Become familiar with the markings on the panel before connecting electrical devices.

Connect electrical devices running on AC current according to their wattage requirements. The chart in Figure 5 shows the rated and surge wattage of the generator.

The rated (running) wattage is the wattage the generator can produce on a continuous basis.

The surge wattage is the maximum amount of power the generator can produce for an extremely short period of time (seconds). Many electrical devices such as refrigerators require short bursts of extra power in addition to the rated wattage listed by the device to start their motors. The surge wattage ability of the generator covers this extra power requirement.

Item	Rated (Running) Wattage	Surge Wattage
56310i	3100	2800

Fig. 5 - Generator Wattage

The total running wattage requirement of the electrical devices connected to the generator should not exceed the rated wattage of the generator itself. To calculate the total wattage requirement of the electrical devices you plan to connect, find the rated (or running) wattage of each device. This number should be listed somewhere on the device or in its instruction manual. If this wattage cannot be found, calculate it by multiplying the Voltage requirement by the Amperage drawn:

$$\text{Watts} = \text{Volts} \times \text{Amperes}$$

**NOTE: WE SUGGEST RUNNING YOUR GENERATOR AT LEAST ONCE A MONTH IN ORDER TO MAXIMIZE THE LIFESPAN OF THE GENERATOR.**

## USING THE GENERATOR

---

If the electrical specifications are not available for your electronic devices, estimate the watts requirement of the device by using the chart in Figure 6.

When the rated wattage requirement of each electrical device has been determined, add these numbers to find the total rated wattage needed. If this number exceeds the rated wattage of the generator, **DO NOT** connect all these devices. Select a combination of electrical devices, which have a total rated wattage lower than or equal to the rated wattage of the generator.

**CAUTION:** The generator can run at its surge wattage capacity for only a short time. Connect electrical devices requiring a rated (running) wattage equal to or less than the rated wattage of the generator. Never connect devices requiring a rated wattage equal to the surge wattage of the generator. This can trip the circuit protectors (circuit breakers).

Tool or Appliance	Rated (Running) Watts	ADDITIONAL SURGE WATTS
Hot plate	2500	0
Saw - radial arm	2000	2000
Electric stove (each element)	1500-2800	0
Saw - circular	1500	1500
Air compressor (1 HP)	1500	3000
Window air conditioner	1200	1800
Saw - miter	1200	1200
Microwave	1000	0
Well water pump	1000	1000
Saw - reciprocating	960	1040
Sump pump	800	1200
Refrigerator freezer	800	1200
Furnace blower	800	1300
Computer	800	0
Electric drill	600	900
Television	500	0
Deep freezer	500	500
Garage door opener	480	0
Stereo	400	0
Box fan	300	600
Clock radio	300	0
Security system	180	0
DVD player / VCR	100	0
Common light bulb	75	0

Fig. 6 - Estimated wattage requirements of common electrical devices

Note: The above wattage figures are estimates. Check the wattage listed on the electrical device before consulting this chart. Once the electrical devices have been chosen, connect them according to the following procedure:

1. Plug in each electrical device, making sure that the device is turned off.
2. Check the overload light and power indicator light. If the overload light is on, unplug the electronics, then re-start the generator before plugging the load back in. If the reset button does not reset, wait several minutes and try again. If the power light still does not come on, call the customer service number for further instructions.

## USING THE GENERATOR

---

**CAUTION:** Do not connect 50Hz loads to the generator.

### SOME NOTES ABOUT POWER CORDS

Long or thin cords can drain the power provided to an electrical device by the generator. When using such cords, allow for a slightly higher rated wattage requirement by the electrical device. See Figure 7 for recommended cords based on the power requirement of the electrical device.

Device Requirements		Max. Cord Length (ft) by Wire Gauge				
Amps	Watts (120V)	#8 wire	#10 wire	#12 wire	#14 wire	#16 wire
2.5	300	NR	NR	NR	375	250
5	600	NR	NR	300	200	125
7.5	900	NR	350	200	125	100
10	1200	NR	250	150	100	50
15	1800	NR	150	100	65	NR

\*NR = Not Recommended

Fig. 7 - Maximum Extension Cord Lengths by Power Requirement

If an overload occurs, shut down the generator. Unplug all electrical devices and wait five minutes. Then, start the unit back up again to get power back.

## MAINTENANCE/CARE

---

Proper routine maintenance of the generator will help prolong the life of the machine. Please perform maintenance checks and operations according to the schedule in Figure 8.

If there are any questions about the maintenance procedures listed in this manual, please call (800) 232-1195 M-F 8-5 CST.

**CAUTION:** Never perform maintenance operations while the generator is running.

Recommended Maintenance Schedule		Each 8 hours or daily	Every 25 hours	Every 3 months or 50 hours	Every 6 months or 100 hours	Every year	As necessary
Engine oil	Check level	x					
	Replace		x*	x*			x
Air cleaner cartridge	Check		x		x		
	Clean				x		
Spark plug	Check/clean				x		
	Change					x	x
Fuel tank	Check level	x					
	Clean					x	

Fig. 8 - Recommended maintenance schedule

\* Clean/change more often under dusty conditions or operating under heavy load.

# MAINTENANCE

## HIGH ALTITUDE OPERATION ABOVE 3000 FEET

The fuel system on this generator may be affected by operation at high altitudes. Proper operation can be ensured by installing an altitude kit at altitudes higher than 3000 feet above sea level. At elevations above 8000 feet, the engine may experience a decrease in performance, even with the proper altitude kit. Operating this generator without said kit may increase the engine's emissions and decrease both fuel economy and performance.

The kit should be installed by a qualified mechanic. Refer to the instructions included with your altitude kit for more information about installation. You can order the kit at [wenproducts.com](http://wenproducts.com) by searching part 56310i-HA36 for 3000 to 6000 feet above sea level or 56310i-HA68 for 6000 to 8000 feet above sea level.



**WARNING:** To prevent serious injury from fire, follow the kit installation procedures in a well-ventilated area away from ignition sources. If the engine is hot from use, shut the engine off and wait for it to cool before proceeding. Do not smoke near the generator. Warranty will be void if adjustments are not made for high altitude use.

## CLEANING THE GENERATOR

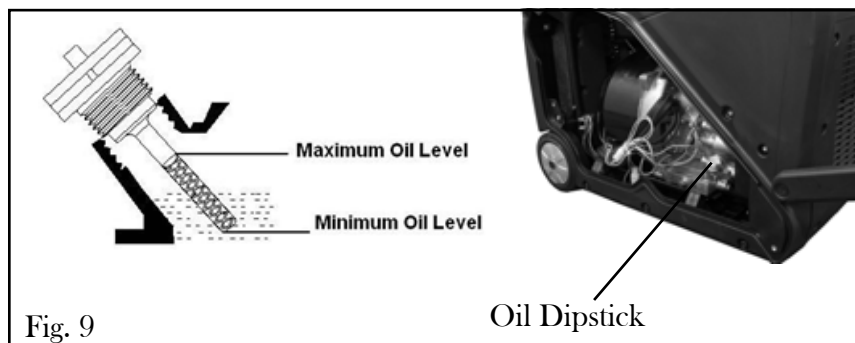
Never clean the generator when it is running! Never clean with a bucket of water or a hose. Water can get inside the working parts of the generator and cause corrosion or a short circuit.

Always try to use the generator in a cool, dry place. If the generator becomes dirty, clean the exterior with a damp cloth, a soft brush, a vacuum or pressurized air.

## CHECKING THE OIL

Check the oil level of the generator according to the Recommended Maintenance Schedule in Fig. 9. The generator is equipped with an automatic shutoff to protect it from running on low oil. The generator should be checked before each use for proper oil level. This is a critical step for proper engine starting. To check the oil level:

1. Make sure the generator is on a level surface.
2. Open the side panel that features the small oil fill label on it (same side as recoil starter) using a screwdriver. Clean around the oil fill. Remove dipstick and wipe the dipstick with a clean rag. Insert the dipstick into the oil fill opening without screwing in. Remove the dipstick to check the oil mark. Add oil if the oil mark covers less than one half of the dipstick.
3. Slowly add more oil and repeat step 2 until the oil mark reaches to the top of dipstick (Fig. 10). Do not over fill the crankcase.
4. Reinstall oil dipstick and side panel.





## MAINTENANCE & CARE

### CHANGING/ADDING OIL

Change the oil according to the Recommended Maintenance Schedule in Figure 9. Change the oil when the engine is warm. This will allow for complete drainage. Change oil more often if operating under heavy load or high ambient temperatures. It is also necessary to drain the oil from the crankcase if it has become contaminated with water or dirt. The oil capacity of the generator engine is 0.58 qts. Add oil when the oil level is low. For proper type and weight of oil refer to “add oil” portion of the “Generator Preparation” section.

1. Place generator on elevated platform such as table or desk. Put a container next to it to hold the used oil. Turn the vacuum relief valve to “OFF” position.
2. Unscrew the dipstick from the engine and set aside.
3. Tilt the generator so the used oil flows from the engine into the container. Tilt some more to ensure all oil is out of the crankcase.
4. Fill the crankcase with fresh oil and reinstall the dipstick. Clean any oil spillage before closing the side panel.

To refill the crankcase with oil, follow these steps:

1. Make sure the generator is on a level surface. Tilting the generator to assist in filling will cause oil to flow into engine areas and will cause damage. Keep generator level!
2. Remove the dipstick from the engine.
3. Using a funnel or appropriate dispenser, add the correct amount of oil into the crankcase. The engine is equipped with a low oil pressure sensor and will not start if the amount of oil is insufficient.
4. Reinstall dipstick.

**NOTE:** Never dispose of used motor oil in the trash or down a drain. Please call a local recycling center or auto garage to arrange oil disposal.

### AIR CLEANER MAINTENANCE

Routine maintenance of the air cleaner helps maintain proper airflow to the carburetor. Occasionally check that the air cleaner is free of excessive dirt. Refer to Recommended Maintenance Schedule in Figure 8.

1. Remove the side panel opposite of the recoil starter by unscrewing the screws around the outside edge.
2. Take the cover off of the air cleaner assembly by unscrewing the middle screw in order access the foam air cleaner assembly (Fig. 10).
3. Check and clean the foam air cleaner element. Replace with a new one if the element is damaged. Good elements can be washed in soapy water, dried and reused. There is no need to add oil to the element. Wipe off excessive oil from the air cleaner case. Small amount of oil in the element is normal and necessary for the engine to work properly.
4. Reinstall the air cleaner element, cover and side panel.

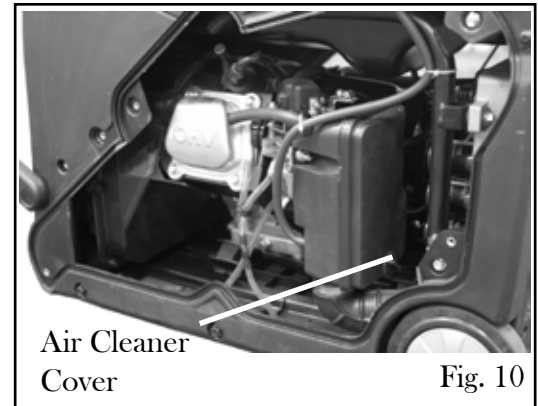


Fig. 10

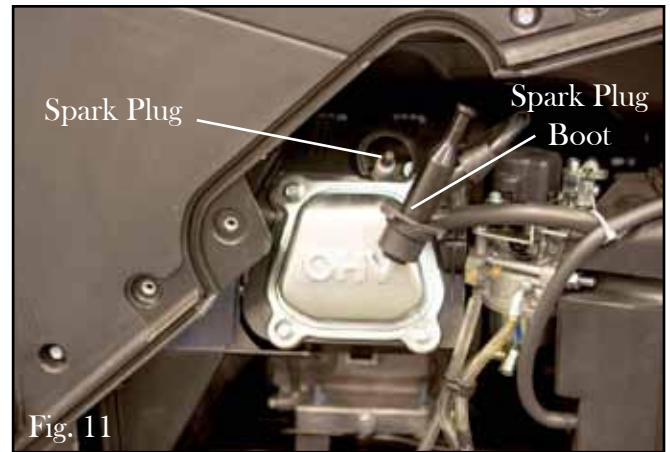
## MAINTENANCE & CARE

---

### **SPARK PLUG MAINTENANCE (Fig. 11)**

The spark plug is important for proper engine operation. A good spark plug should be intact, free of deposits, and properly gapped. Refer to Recommended Maintenance Schedule in Figure 8. To inspect the spark plug:

1. Remove side panel.
2. Remove spark plug boot. Be careful not to tear insulation or wire.
3. Unscrew the spark plug from the engine using the spark plug wrench provided. There is limited space for the wrench to turn. Use both rows of holes in the spark plug wrench to gain leverage to loosen the plug.
4. Visually inspect the spark plug for cracks or excessive electrode wear. Replace as necessary.
5. Measure the plug gap with a wire gauge. The gap should be 0.6 - 0.7 mm (0.024 - 0.028 in).
6. If re-using the spark plug, use a wire brush to clean any dirt from around the spark plug base then re-gap the spark plug.
7. Screw the spark plug back into the spark plug hole using the spark plug wrench. Do not over-tighten spark plug. Recommended tightening of spark plug is  $\frac{1}{2}$  to  $\frac{3}{4}$  of a turn after spark plug gasket contacts spark plug hole. Reinstall the spark plug boot and control panel.



### **DRAINING THE FUEL TANK**

Clean fuel tank each year or before storing the generator for extended periods of time. To drain the fuel tank and carburetor:

1. Remove the fuel cap; carefully turn the generator over to pour the gasoline in the fuel tank to appropriate container.
2. Start generator without any device connected to it until it stops. This burns out the fuel in the carburetor and fuel line.
3. Store the emptied gasoline in a suitable place.

**CAUTION:** Do not store fuel for more than 3 months.

## STORAGE & TRANSPORT PROCEDURES

---

**CAUTION:** Never place any type of storage cover on the generator while it is still hot.

If the generator is being stored for short periods of time (30 to 60 days), add stabilized fuel to the fuel tank until full. **NOTE:** Filling the tank reduces the amount of air in the tank and helps fight deterioration of fuel. Run the engine for 2 - 3 minutes allowing stabilized fuel mixture to circulate through the carburetor. When storing the generator for extended periods of time:

- Drain the fuel tank (see “Draining the Fuel Tank” in the “Maintenance” section).
- Change oil.
- Do not obstruct any ventilation openings.
- Keep the generator in a cool dry area.

When transporting generator:

- Drain the fuel tank if possible (see “Draining the Fuel Tank” in the “Maintenance” section).
- Keep the generator upright. Never place the generator side down. Doing so will make it difficult to start.

## SPECIFICATIONS

---

### DC output

Rated Voltage	12 VDC
Rated Amperage	8.3 A
Rated Wattage	100 W
USB Charger	5V, 1 A & 2.1 A

### AC output

Rated Wattage	2800 Watts
Surge Wattage	3100 Watts
Rated Voltage	120 V
Rated Amperage	23.3 A
Frequency	60 Hz
Phase	Single
Dimensions	26.75 x 20 x 23 inches
Weight	81.4 lbs

### Engine

Engine type	4 stroke, OHV, single cylinder with forced air cooling system	
Spark plug gap	0.6 - 0.7 mm (0.024 - 0.028 in)	
Spark plug torque	1/2 - 3/4 turn after gasket contacts base or 15 ft.lb	
Displacement	212 cc	
Fuel tank capacity	1.85 gallons 87 octane minimum	
Oil capacity	0.58 quarts (0.55 liters)	
Lubrication system	Splash lubrication	
Run time on 50% load	7.5 hours	
Noise rating (from 22 ft. with ambient rating of 44 dB)	57 dB (no load) 60 dB (1/2 load)	58 dB (1/4 load) 63 dB (3/4 load)
Spark plug	A5RTC	

## TROUBLESHOOTING

---

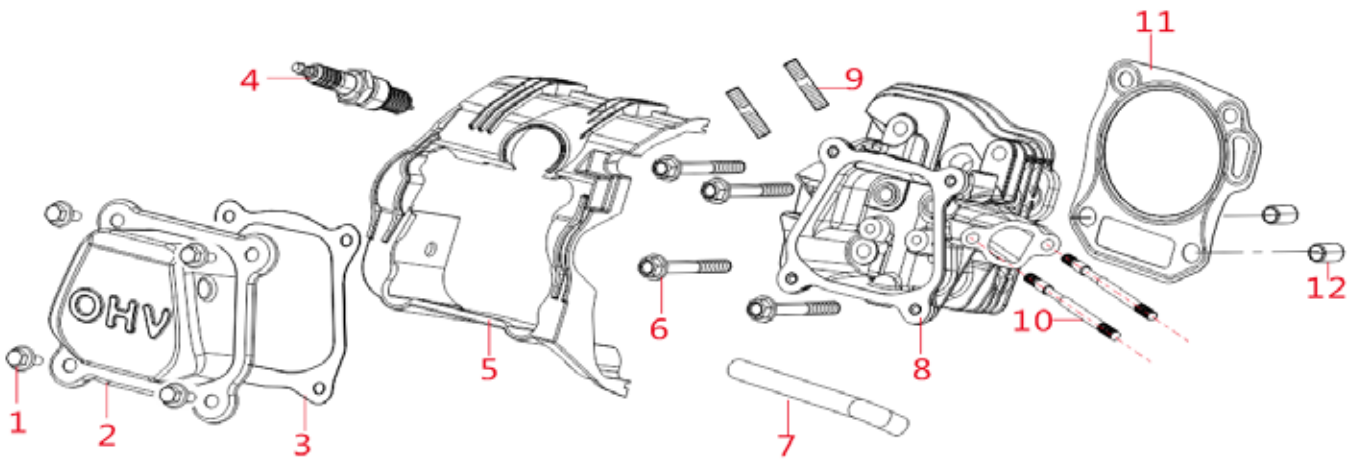
**IMPORTANT:** If trouble persists, please call our customer help line at (800) 232-1195 M-F 8-5 Central Time.

<b>Problem</b>	<b>Cause</b>	<b>Solution</b>
Engine will not start	Engine switch in "OFF" position	Set engine switch to "CHOKE" position.
	Engine is filled with contaminated or old fuel	Change the fuel in the tank.
	Not enough oil in crankcase	Add or replace oil.
	Air cleaner is dirty.	Clean or replace air cleaner.
	Spark plug is dirty.	Clean spark plug.
	Spark plug is broken.	Replace spark plug.
	Generator is not on level surface.	Move generator to a level surface to prevent low oil shutdown from triggering.
	Engine needs maintenance	Get a professional engine tune-up at an authorized small engine repair shop
Engine stops	Generator was tilted when adding oil, or shipped side-down	Remove spark plugs, turn off engine switch then pull recoil starter four times to remove oil form the combustion chamber.
	Not enough oil in crankcase	Add or change oil
Blue smoke in exhaust	Engine is out of fuel	Add fuel.
	Generator inclined, oil entered combustion chamber	Move generator to a level position
Generator runs but does not support all electrical devices connected.	Too much oil was added to the crankcase.	Drain excessive oil.
	Bad connecting wires/cables.	If using an extension cord, try a different one.
	Bad electrical device connected to generator.	Try connecting a different device
	Generator is overloaded, Overload light is on	Perform these steps: 1. Turn off all electrical devices. 2. Unplug all electrical devices. 3. Shut down the engine. 4. Wait several minutes and then start the engine. 5. Try connecting fewer electrical loads to the generator.
Generator runs but does not support all electrical devices connected.	Short in one of the connected devices.	Try disconnecting any faulty or short-circuited electrical loads.

**NOTE: WE SUGGEST RUNNING YOUR GENERATOR AT LEAST ONCE A MONTH IN ORDER TO MAXIMIZE THE LIFESPAN OF THE GENERATOR.**

# EXPLODED VIEW AND PARTS LIST

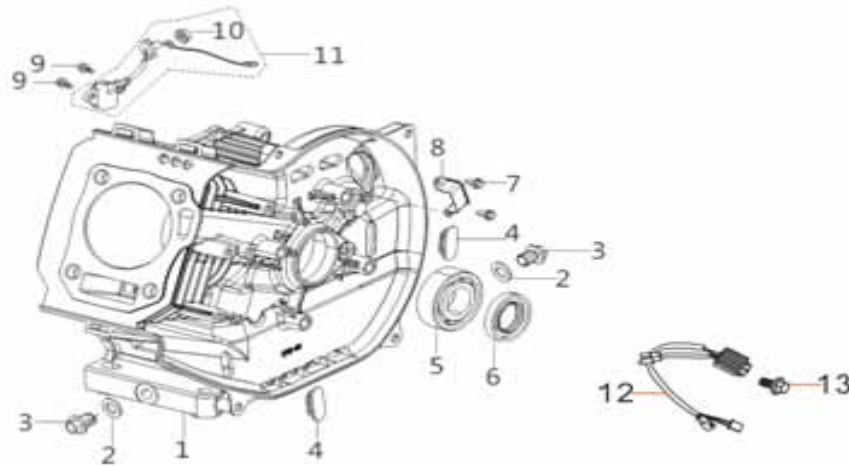
**FIG. 1 CYLINDER HEAD ASSEMBLY**



Item	Stock #	Description	Qty
Fig. 1-1	56310i-0101	Bolt	4
Fig. 1-2	56310i-0102	Cover Subassembly, Cylinder Head	1
Fig. 1-3	56310i-0103	Gasket, Cylinder Head Cover	1
Fig. 1-4	56310i-0104	Plug, Spark	1
Fig. 1-5	56310i-0105	Shroud, Cylinder Body	1
Fig. 1-6	56310i-0106	Bolt, Cylinder Head	4
Fig. 1-7	56310i-0107	Tube, Breather	1
Fig. 1-8	56310i-0108	Head Subassembly, Cylinder	1
Fig. 1-9	56310i-0109	Stud	2
Fig. 1-10	56310i-0110	Stud	2
Fig. 1-11	56310i-0111	Gasket, Cylinder Head	1
Fig. 1-12	56310i-0112	Pin	2

# EXPLODED VIEW AND PARTS LIST

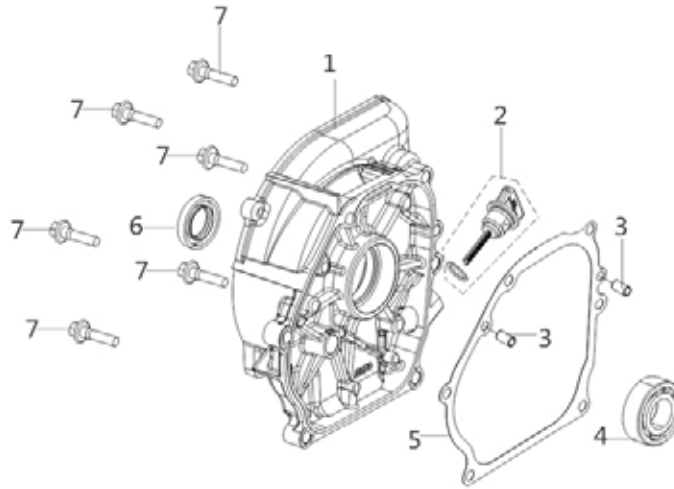
## FIG. 2 CRANKCASE ASSEMBLY



Item	Stock #	Description	Qty
Fig. 2-1	56310i-0201	Crankcase Subassembly.	1
Fig. 2-2	56310i-0202	Washer	2
Fig. 2-3	56310i-0203	Bolt, Drain Plug	2
Fig. 2-4	56310i-0204	Plug, End	2
Fig. 2-5	56310i-0205	Bearing	1
Fig. 2-6	56310i-0206	Oil-Seal	1
Fig. 2-7	56310i-0207	Bolt	2
Fig. 2-8	56310i-0208	Clamp, Generator Lead Wire	1
Fig. 2-9	56310i-0209	Bolt	2
Fig. 2-10	56310i-0210	Nut	1
Fig. 2-11	56310i-0211	Sensor, Engine Oil	1
Fig. 2-12	56310i-0212	Regulator, Voltage	1
Fig. 2-13	56310i-0213	Bolt	1

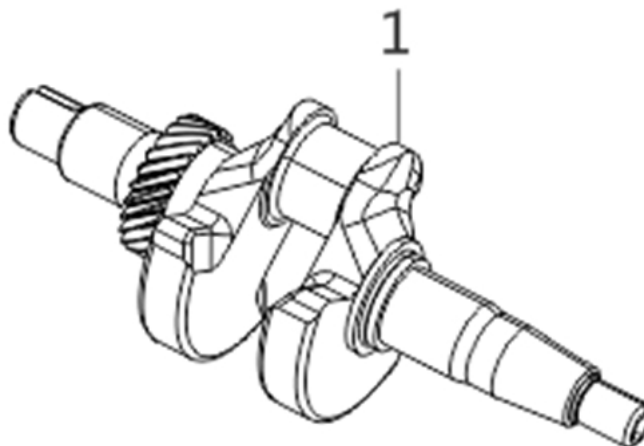
## EXPLODED VIEW AND PARTS LIST

### FIG. 3 CRANKCASE COVER



Item	Stock #	Description	Qty
Fig. 3-1	56310i-0301	Cover, Crankcase	1
Fig. 3-2	56310i-0302	Dipstick Subassembly, Oil	1
Fig. 3-3	56310i-0303	Pin	2
Fig. 3-4	56310i-0304	Bearing	1
Fig. 3-5	56310i-0305	Gasket, Crankcase	1
Fig. 3-6	56310i-0306	Oil-Seal	1
Fig. 3-7	56310i-0307	Bolt	6

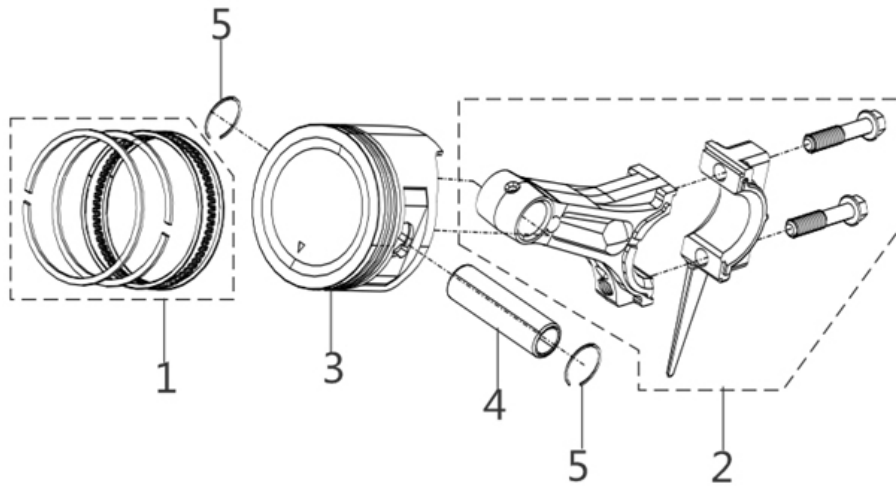
### FIG. 4 CRANKSHAFT



Item	Stock #	Description	Qty
Fig. 4-1	56310i-0401	Crankshaft Assy.	1

# EXPLODED VIEW AND PARTS LIST

## FIG. 5 CONNETING ROD

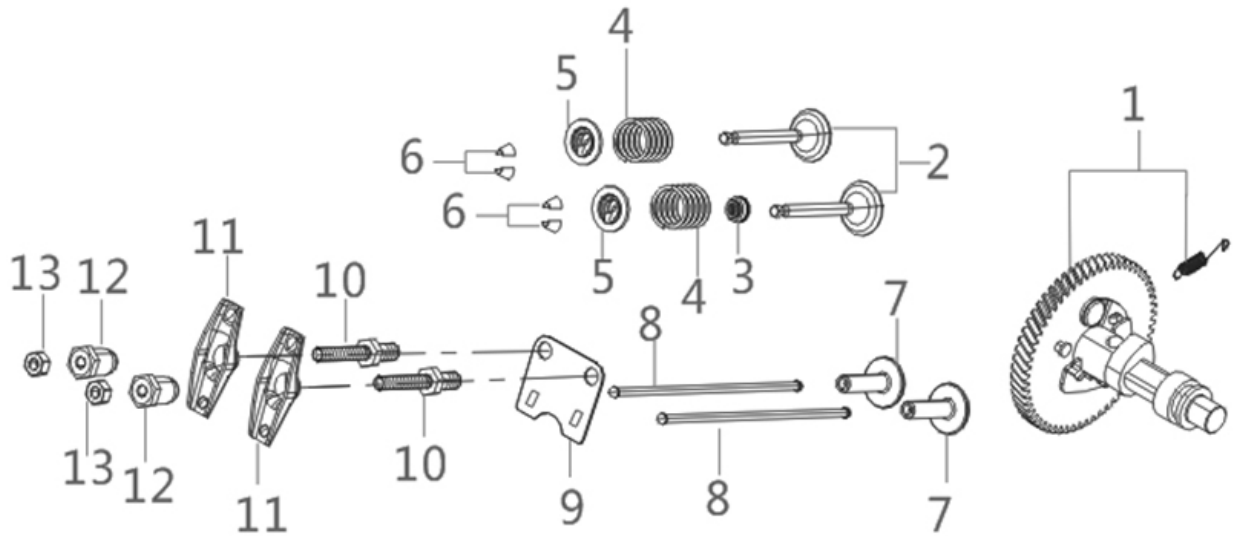


Item	Stock #	Description	Qty
Fig. 5-1	56310i-0501	Ring Assy, Piston	1
Fig. 5-2	56310i-0502	Rod, Connecting	1
Fig. 5-3	56310i-0503	Piston	1
Fig. 5-4	56310i-0504	Pin, Piston	1
Fig. 5-5	56310i-0505	Clip, Piston Pin	2



## EXPLODED VIEW AND PARTS LIST

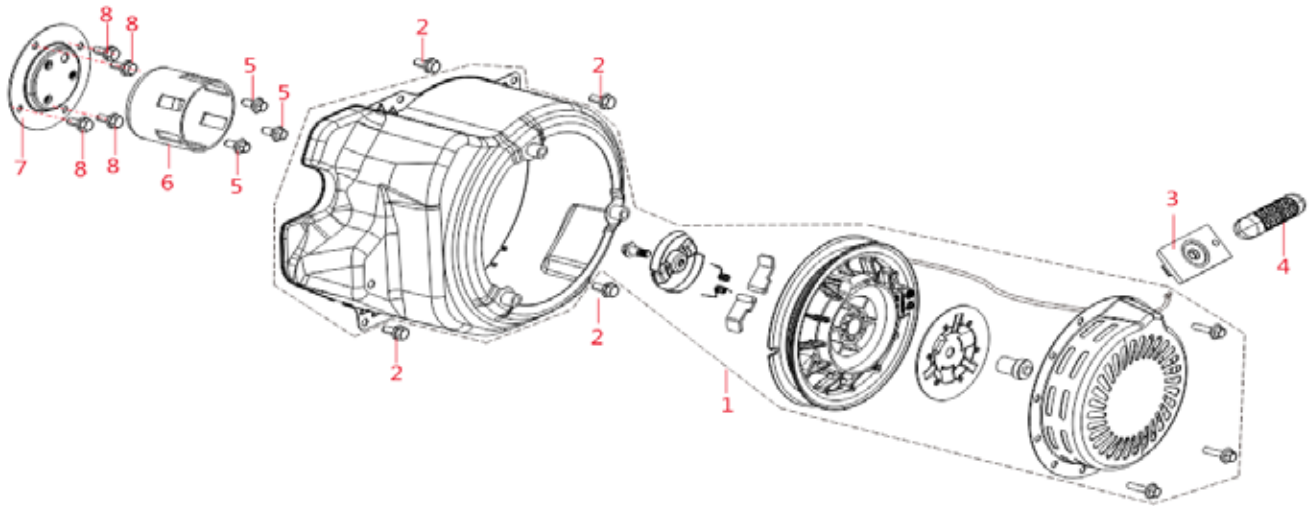
**FIG. 6 VALVES, CAMSHAFT ASSEMBLY**



Item	Stock #	Description	Qty
Fig. 6-1	56310i-0601	Camshaft Assy.	1
Fig. 6-2	56310i-0602	Valve	1
Fig. 6-3	56310i-0603	Guide, Seal	1
Fig. 6-4	56310i-0604	Spring, Valve	2
Fig. 6-5	56310i-0605	Seat, Valve Spring	2
Fig. 6-6	56310i-0606	Clamp, Valve Lock	4
Fig. 6-7	56310i-0607	Tappet, Valve	2
Fig. 6-8	56310i-0608	Lifter, Valve	2
Fig. 6-9	56310i-0609	Plate Subassembly, Lifter Stopper	1
Fig. 6-10	56310i-0610	Bolt, Valve Adjusting	2
Fig. 6-11	56310i-0611	Rocker, Valve	2
Fig. 6-12	56310i-0612	Nut, Valve Adjusting	2
Fig. 6-13	56310i-0613	Nut, Valve Lock	2

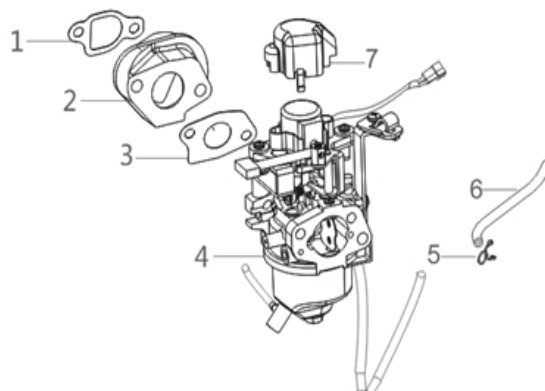
# EXPLODED VIEW AND PARTS LIST

## FIG. 7 RECOIL STARTER



Item	Stock #	Description	Qty
Fig. 7-1	56310i-0701	Starter, Recoil	1
Fig. 7-2	56310i-0702	Bolt	4
Fig. 7-3	56310i-0703	Guide, Starting Rope	1
Fig. 7-4	56310i-0704	Handle, Recoil Strater Cable	1
Fig. 7-5	56310i-0705	Bolt	3
Fig. 7-6	56310i-0706	Pulley,Starter	1
Fig. 7-7	56310i-0707	Seat, Starter Cup	1
Fig. 7-8	56310i-0708	Bolt	4

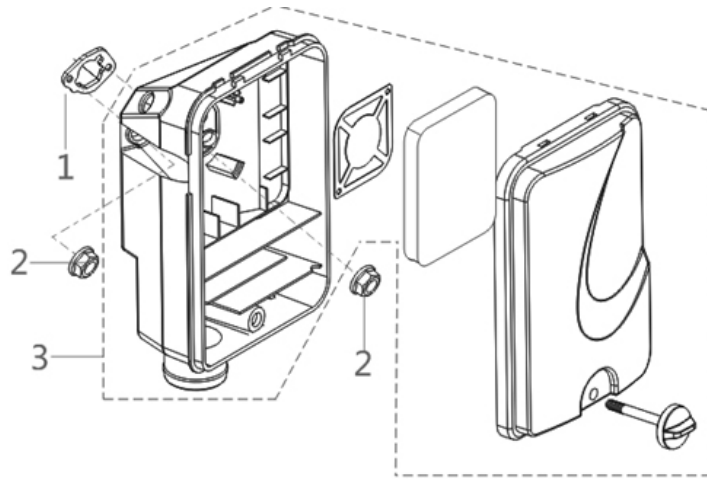
## FIG. 8 CARBURETOR



Item	Stock #	Description	Qty
Fig. 8-1	56310i-0801	Gasket, Carburetor Insulator	1
Fig. 8-2	56310i-0802	Plate, Carburetor Insulator	1
Fig. 8-3	56310i-0803	Gasket, Carburetor	1
Fig. 8-4	56310i-0804	Carburetor Assembly	1
Fig. 8-5	56310i-0805	Clamp	1
Fig. 8-6	56310i-0806	Tube, Fuel	1
Fig. 8-7	56310i-0807	Cap	1

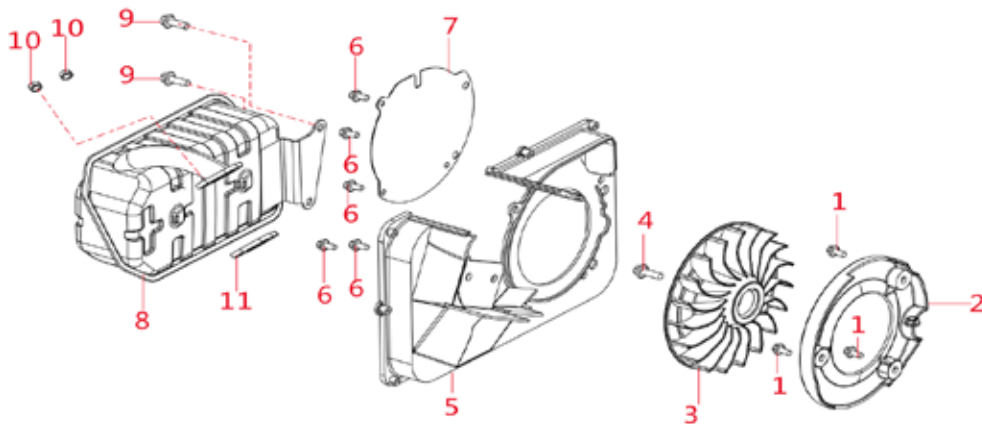
## EXPLODED VIEW AND PARTS LIST

**FIG. 9 AIR CLEANER**



Item	Stock #	Description	Qty
Fig. 9-1	56310i-0901	Gasket, Air Cleaner	1
Fig. 9-2	56310i-0902	Nut	2
Fig. 9-3	56310i-0903	Air Cleaner	1

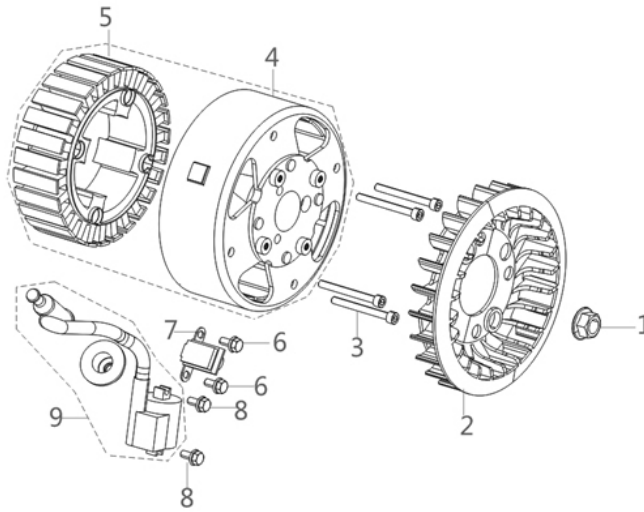
**FIG. 10 MUFFLER**



Item	Stock #	Description	Qty
Fig. 10-1	56310i-1001	Bolt	3
Fig. 10-2	56310i-1002	Shroud	1
Fig. 10-3	56310i-1003	Impeller	1
Fig. 10-4	56310i-1004	Bolt	1
Fig. 10-5	56310i-1005	Plate, Muffler Insulator	1
Fig. 10-6	56310i-1006	Bolt	5
Fig. 10-7	56310i-1007	Clapboard, Muffler	1
Fig. 10-8	56310i-1008	Muffler Assy.	1
Fig. 10-9	56310i-1009	Bolt	2
Fig. 10-10	56310i-1010	Nut	2
Fig. 10-11	56310i-1011	Gasket, Exhaust Outlet	1

## EXPLODED VIEW AND PARTS LIST

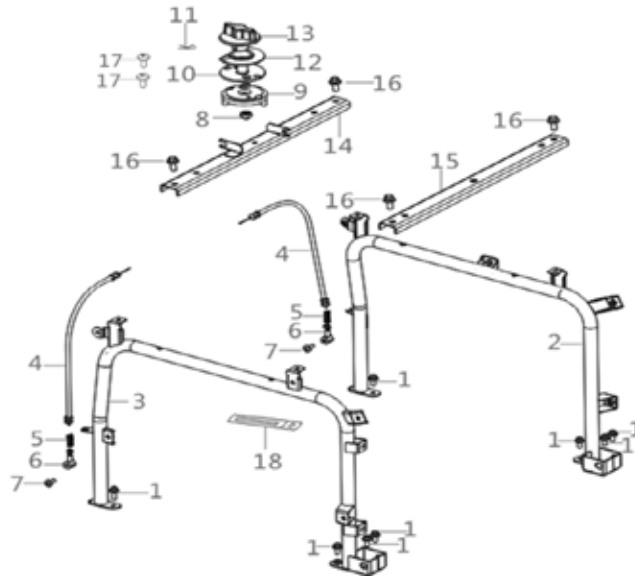
**FIG. 11 FLYWHEEL AND IGNITION COIL**



Item	Stock #	Description	Qty
Fig. 11-1	56310i-1101	Nut, Flywheel	1
Fig. 11-2	56310i-1102	Impeller	1
Fig. 11-3	56310i-1103	Screw	4
Fig. 11-4	56310i-1104	Rotor Comp	1
Fig. 11-5	56310i-1105	Stator Comp.	1
Fig. 11-6	56310i-1106	Bolt	2
Fig. 11-7	56310i-1107	Trigger Assy.	1
Fig. 11-8	56310i-1108	Bolt	2
Fig. 11-9	56310i-1109	Coil, Ignition	1

## EXPLODED VIEW AND PARTS LIST

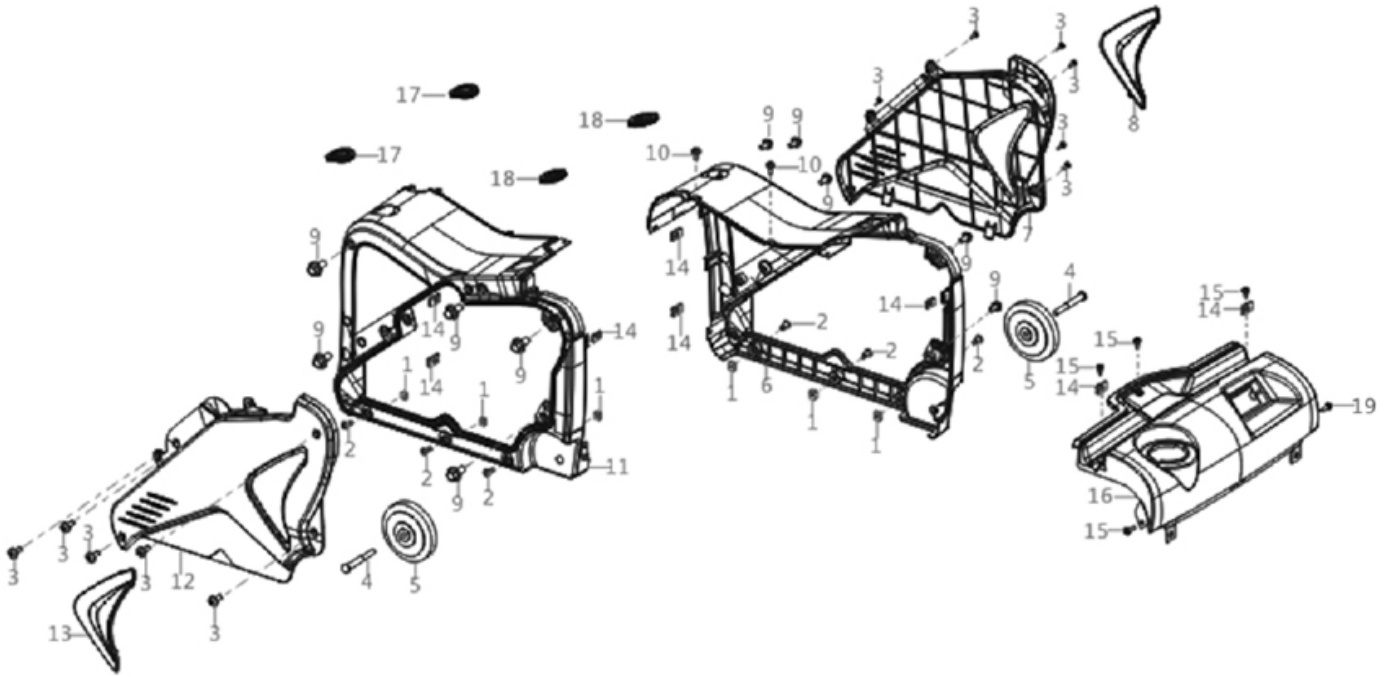
**FIG. 12 FRAME**



Item	Stock #	Description	Qty
Fig. 12-1	56310i-1201	Bolt	8
Fig. 12-2	56310i-1202	Frame Assy, Engine(Right)	1
Fig. 12-3	56310i-1203	Frame Assy, Engine(Left)	1
Fig. 12-4	56310i-1204	Lasso Comp.	2
Fig. 12-5	56310i-1205	Spring	2
Fig. 12-6	56310i-1206	Pin	2
Fig. 12-7	56310i-1207	Cross-Head Screw	2
Fig. 12-8	56310i-1208	Bush	1
Fig. 12-9	56310i-1209	Block, Control Arm Limited	1
Fig. 12-10	56310i-1210	Lasso Support	1
Fig. 12-11	56310i-1211	Pin	1
Fig. 12-12	56310i-1212	Rubber Mat	1
Fig. 12-13	56310i-1213	Knob	1
Fig. 12-14	56310i-1214	Connection Board, Frame	1
Fig. 12-15	56310i-1215	Connection Board, Frame	1
Fig. 12-16	56310i-1216	Bolt	4
Fig. 12-17	56310i-1217	Cross-Head Self-Tapping Screw	2
Fig. 12-18	56310i-1218	Clip	1

# EXPLODED VIEW AND PARTS LIST

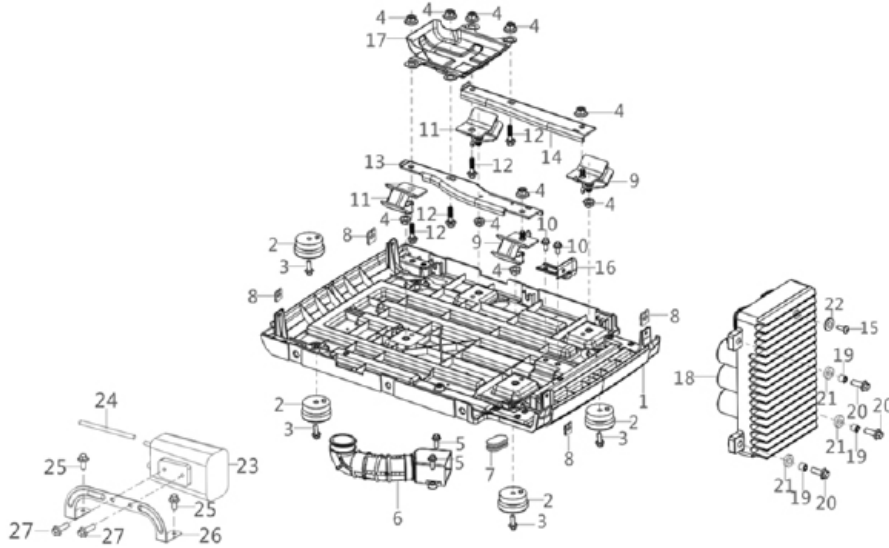
**FIG. 13 PLASTIC COVER**



Item	Stock #	Description	Qty
Fig. 13-1	56310i-1301	Nut	6
Fig. 13-2	56310i-1302	Bolt	6
Fig. 13-3	56310i-1303	Cross-Head Screw And Washer Comp.	11
Fig. 13-4	56310i-1304	Shaft, Front Wheel	2
Fig. 13-5	56310i-1305	Wheel Body,Front	2
Fig. 13-6	56310i-1306	Right Shell	1
Fig. 13-7	56310i-1307	Right Panel	1
Fig. 13-8	56310i-1308	Front Panel Right Decorated	1
Fig. 13-9	56310i-1309	Bolt	10
Fig. 13-10	56310i-1310	Screw, Cross Groove Pan	2
Fig. 13-11	56310i-1311	Left Shell	1
Fig. 13-12	56310i-1312	Left Panel	1
Fig. 13-13	56310i-1313	Left Panel Right Decorated	1
Fig. 13-14	56310i-1314	Nut	8
Fig. 13-15	56310i-1315	Cross-Head Screw And Washer Comp.	4
Fig. 13-16	56310i-1316	Front Panel	1
Fig. 13-17	56310i-1317	Handle Sleeve	2
Fig. 13-18	56310i-1318	Handle Sleeve	2
Fig. 13-19	56310i-1319	Cross and Flat Head Screw	1

# EXPLODED VIEW AND PARTS LIST

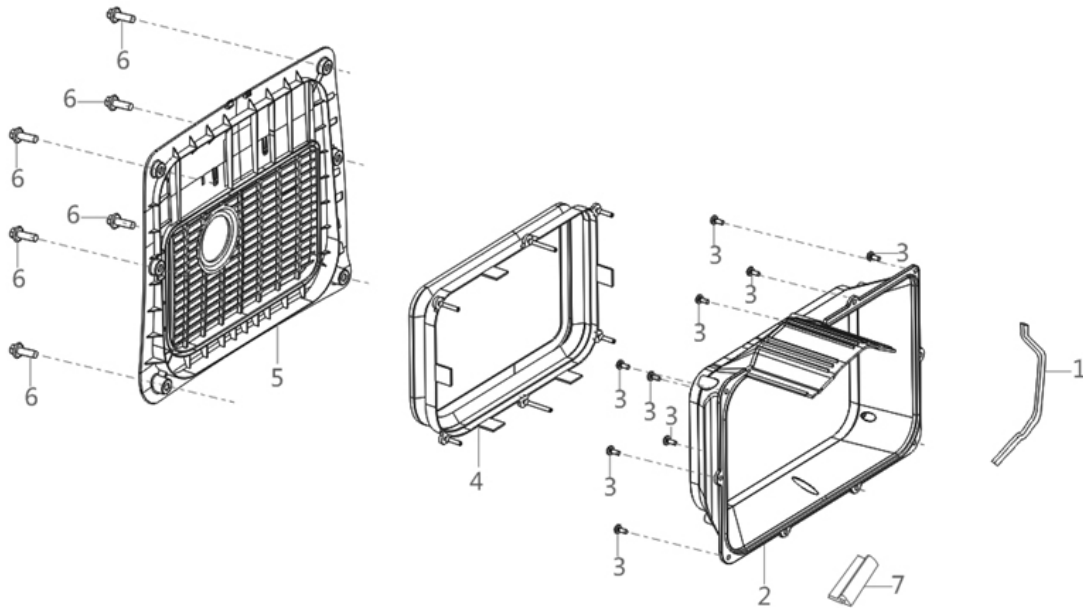
## FIG. 14 BASE AND INVERTER



Item	Stock #	Description	Qty
Fig. 14-1	56310i-1401	Plate, Bottom	1
Fig. 14-2	56310i-1402	Seat, Frame	4
Fig. 14-3	56310i-1403	Bolt	4
Fig. 14-4	56310i-1404	Nut	10
Fig. 14-5	56310i-1405	Bolt	2
Fig. 14-6	56310i-1406	Air Filter Inlet Comp.	1
Fig. 14-7	56310i-1407	Cap	1
Fig. 14-8	56310i-1408	Nut	4
Fig. 14-9	56310i-1409	Cushion, Engine Frame Left	2
Fig. 14-10	56310i-1410	Bolt	2
Fig. 14-11	56310i-1411	Cushion, Engine Frame Right	2
Fig. 14-12	56310i-1412	Bolt	4
Fig. 14-13	56310i-1413	Engine Left Support	1
Fig. 14-14	56310i-1414	Engine Right Support	1
Fig. 14-15	56310i-1415	Screw	1
Fig. 14-16	56310i-1416	Inverter Support	1
Fig. 14-17	56310i-1417	Deflector, Crankcase Air	1
Fig. 14-18	56310i-1418	Invertor	1
Fig. 14-19	56310i-1419	Bush	3
Fig. 14-20	56310i-1420	Bolt	3
Fig. 14-21	56310i-1421	Jacket, Rubber	3
Fig. 14-22	56310i-1422	Washer Flat	1
Fig. 14-23	56310i-1423	Collector, Fuel Steam	1
Fig. 14-24	56310i-1424	Hose, Fuel Steam Rubber	1
Fig. 14-25	56310i-1425	Bolt	2
Fig. 14-26	56310i-1426	Fuel Steam Supporter	1
Fig. 14-27	56310i-1427	Bolt	2

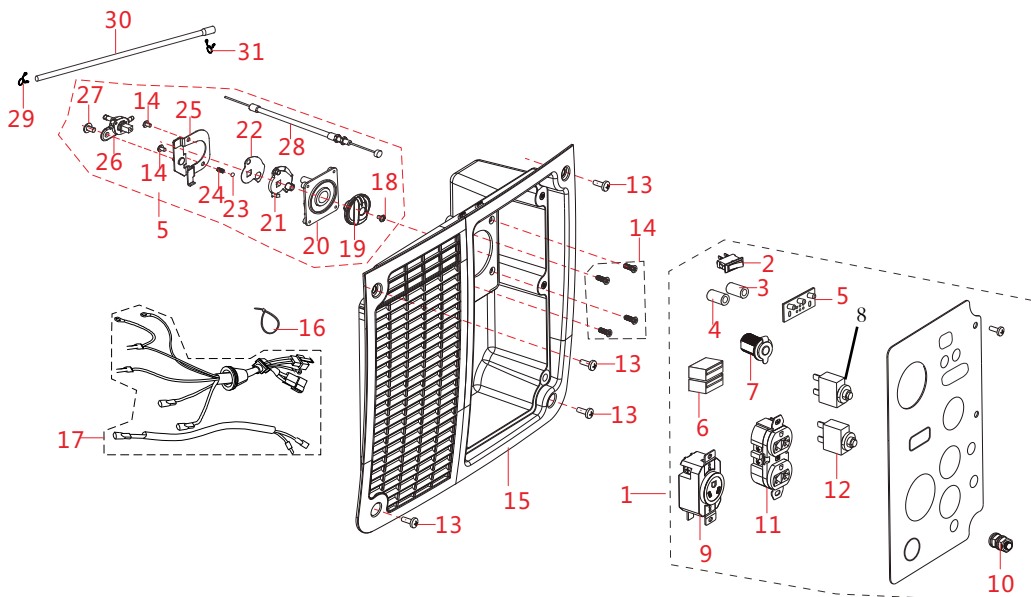
# EXPLODED VIEW AND PARTS LIST

## FIG. 15 SHROUD



Item	Stock #	Description	Qty
Fig. 15-1	56310i-1501	Strip, Shroud Seal	1
Fig. 15-2	56310i-1502	Cover, Muffler Outer	1
Fig. 15-3	56310i-1503	Cross-Head Self-Tapping Screw	9
Fig. 15-4	56310i-1504	Muffler Insulation Gasket	1
Fig. 15-5	56310i-1505	Cover, Muffler Side	1
Fig. 15-6	56310i-1506	Cross-Head Screw And Washer Comp.	6
Fig. 15-7	56310i-1507	Strip, Shroud Seal	1

## FIG. 16 CONTROL PANEL





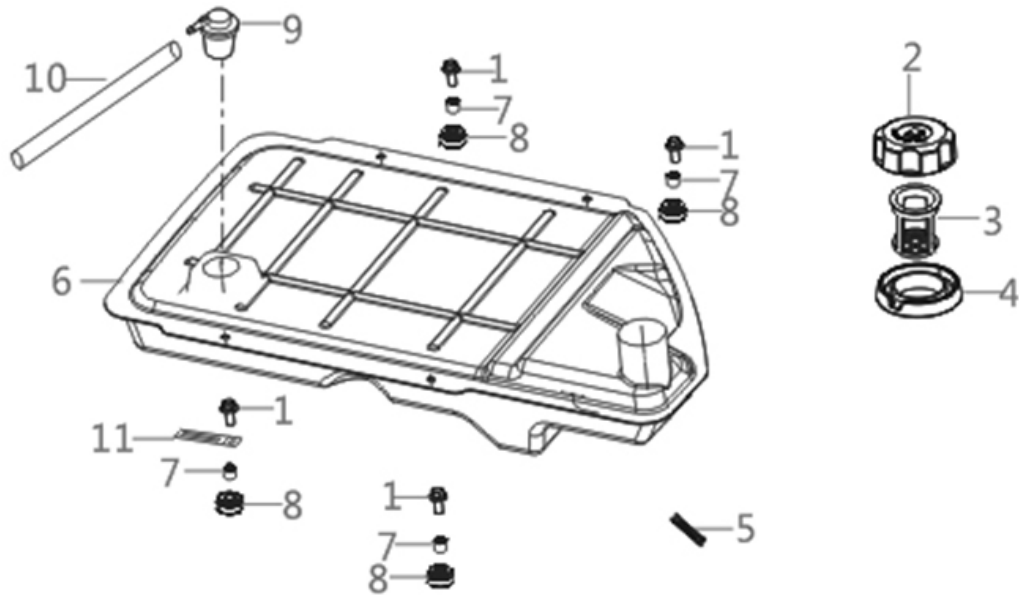
## EXPLODED VIEW AND PARTS LIST

---

<b>FIG. 16 CONTROL PANEL</b>			
<b>Item</b>	<b>Stock #</b>	<b>Description</b>	<b>Qty</b>
Fig. 16-1	56310iB-1601	Panel Assembly	1
Fig. 16-2	56310i-1602	Idle Swtich	1
Fig. 16-3/4	56310i-1603	Parallel Kit	1
Fig. 16-5	56310i-1605	Indication Lights	1
Fig. 16-6	56310i-1606	Usb Output	1
Fig. 16-7	56310iB-1607	DC 12V Cigarette Plug	1
Fig. 16-8	56310i-1608	DC Breaker	1
Fig. 16-9	56310iB-1609	AC 120V RV Plug	1
Fig. 16-10	56310i-1610	Grounding Terminal Combination	1
Fig. 16-11	56310iB-1611	120 Volt Duplex Receptacle	1
Fig. 16-12	56310i-1612	AC Circuit Breaker 20 Amp 1 Pole	1
Fig. 16-13	56310i-1613	Cross-Head Screw And Washer Comp.	4
Fig. 16-14	56310i-1614	Cross-Head Self-Tapping Screw	6
Fig. 16-15	56310i-1615	Seat, Panel	1
Fig. 16-16	56310i-1616	Band	4
Fig. 16-17	56310iB-1617	Harness, Control Panel Wiring	1
Fig. 16-18	56310i-1618	Screw	1
Fig. 16-19	56310i-1619	Knob	1
Fig. 16-20	56310i-1620	Winch Box	1
Fig. 16-21	56310i-1621	Cover Plate	1
Fig. 16-22	56310i-1622	Block Choke Cable Stopper	1
Fig. 16-23	56310i-1623	Ball, Steel	1
Fig. 16-24	56310i-1624	Spring, Stopper Adjusting	1
Fig. 16-25	56310i-1625	Bracket, Fuel Cock	1
Fig. 16-26	56310i-1626	Cock Assy, Fuel	1
Fig. 16-27	56310i-1627	Bolt	1
Fig. 16-28	56310i-1628	Handle Subassembly, Choke	1
Fig. 16-29	56310i-1629	Collar	1
Fig. 16-30	56310i-1630	Collar	1
Fig. 16-31	56310i-1631	Tube, Fuel	1

## EXPLODED VIEW AND PARTS LIST

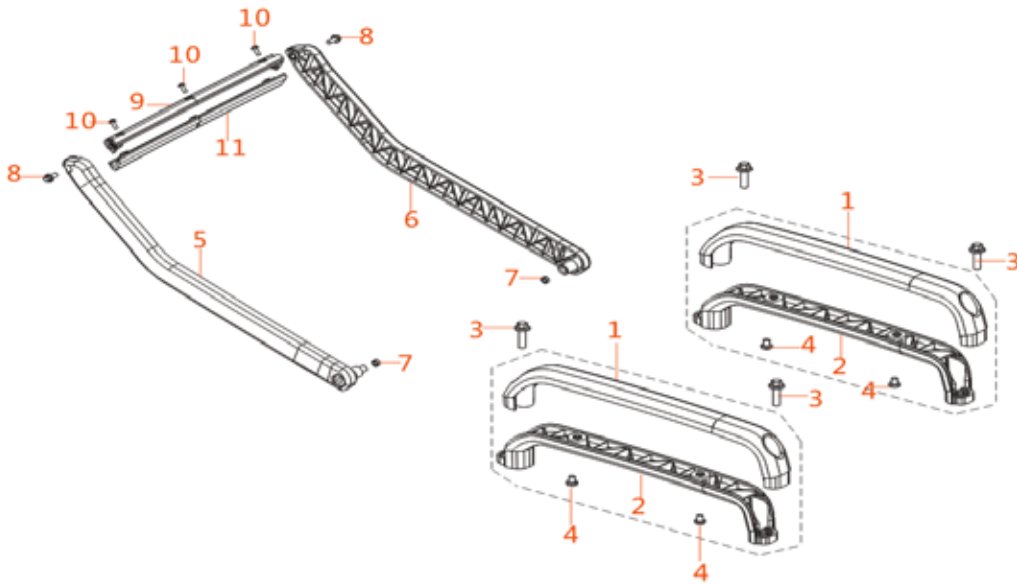
### FIG. 17 FUEL TANK



Item	Stock #	Description	Qty
Fig. 17-1	56310i-1701	Bolt	4
Fig. 17-2	56310i-1702	Cover, Fuel Tank	1
Fig. 17-3	56310i-1703	Fuel Filter	1
Fig. 17-4	56310i-1704	Sleeve, Filling Oil Hole Rubber	1
Fig. 17-5	56310i-1705	Fuel Filter	1
Fig. 17-6	56310i-1706	Tank, Fuel	1
Fig. 17-7	56310i-1707	Bush	4
Fig. 17-8	56310i-1708	Sleeve, Fuel Tank Rubber	4
Fig. 17-9	56310i-1709	Valve, One Way	1
Fig. 17-10	56310i-1710	Hose, Fuel Steam Rubber	1
Fig. 17-11	56310i-1711	Clip	1

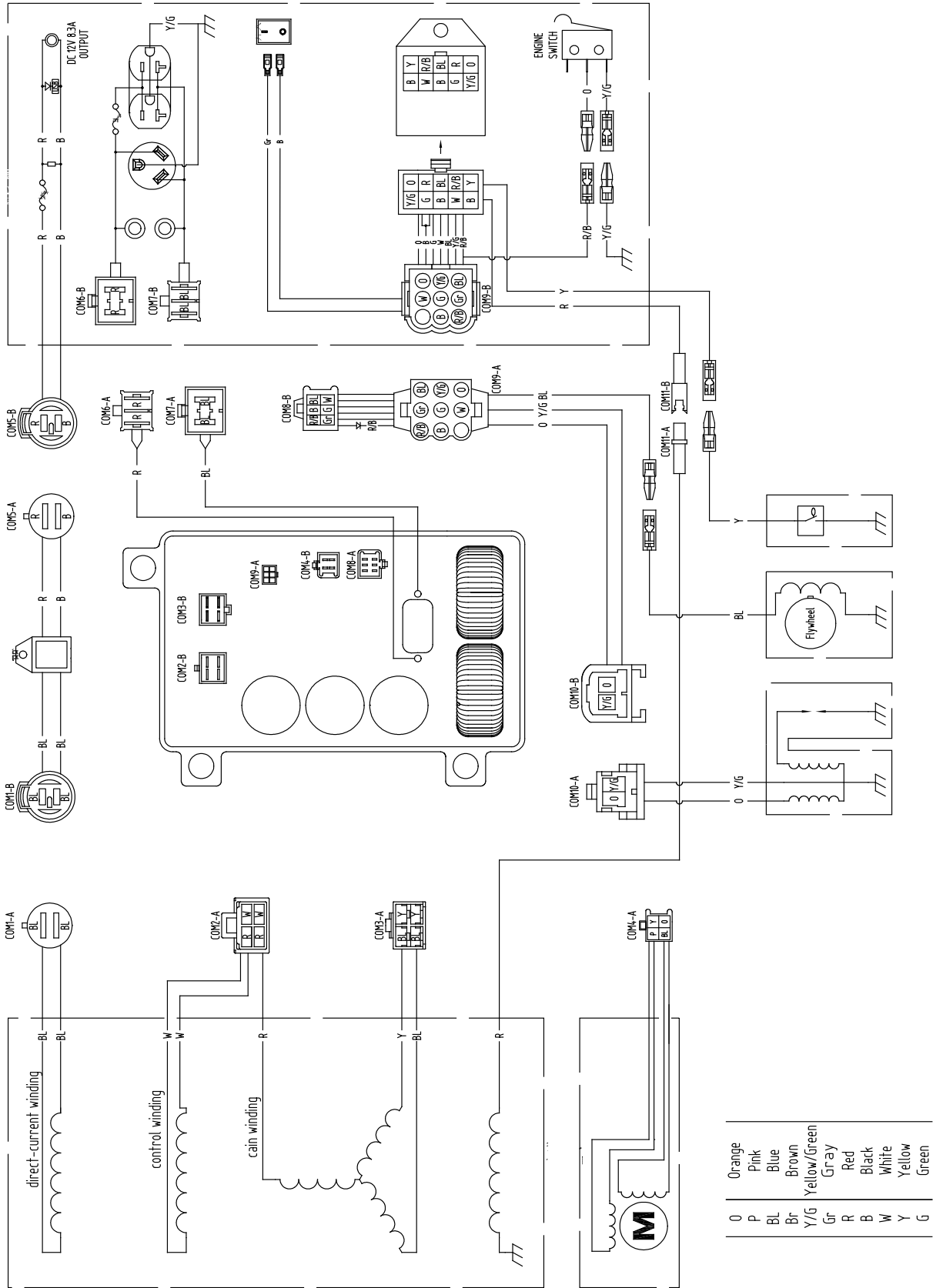
# EXPLODED VIEW AND PARTS LIST

## FIG. 18 HANDLE



Item	Stock #	Description	Qty
Fig. 18-1	56310i-1801	Handle	2
Fig. 18-2	56310i-1802	Handle	2
Fig. 18-3	56310i-1803	Blot	4
Fig. 18-4	56310i-1804	Screw	4
Fig. 18-5	56310i-1805	Rotor Arm	1
Fig. 18-6	56310i-1806	Rotor Arm	1
Fig. 18-7	56310i-1807	Nylon Nut	2
Fig. 18-8	56310i-1808	Blot	2
Fig. 18-9	56310i-1809	Rotating Beam	1
Fig. 18-10	56310i-1810	Cross-Head Screw	3
Fig. 18-11	56310i-1811	Rotating Beam	1

# WIRING DIAGRAM



## WARRANTY STATEMENT

---

Remember to save the receipt and to accurately fill out and mail the product registration card. Proof of purchase is required for all warranty work.

WEN® generators are under warranty to be free from defects in materials and workmanship for a period of two (2) years from date of original purchase. Generators used for Commercial or Rental use have a warranty period of 90 days from date of original purchase. Keep purchase receipt and mail in the product registration card for proof of purchase.

WEN® will repair or replace, at its discretion, any part that is proven to be defective in materials or workmanship under normal use during the two (2) years warranty period. Warranty repairs or replacements will be made without charge for parts or labor. Parts replaced during warranty repairs will be considered as part of the original product and will have the same warranty period as the original product.

To exercise the warranty, **DO NOT RETURN TO RETAILER**. Instead, call the toll free Customer Service number at (800) 232-1195 and you will be instructed on where to take the generator for warranty service. Take the generator and proof of purchase (the receipt) to the repair facility recommended by the Customer Service Representative. To make a claim under this Limited Warranty, you must make sure to keep a copy of your proof of purchase that clearly defines the Date of Purchase (month and year) and the Place of Purchase. Place of purchase must be a direct vendor of Great Lakes Technologies, LLC. Third party vendors such as garage sales, pawn shops, resale shops, or any other secondhand merchant void the warranty included with this product. Contact [techsupport@wenproducts.com](mailto:techsupport@wenproducts.com) or 1-800-232-1195 to make arrangements for repairs and transportation.

When returning a product for warranty service, the shipping charges must be prepaid by the purchaser. The product must be shipped in its original container (or an equivalent), properly packed to withstand the hazards of shipment. The product must be fully insured with a copy of the warranty card and/or the proof of purchase enclosed. There must also be a description of the problem in order to help our repairs department diagnose and fix the issue. Repairs will be made and the product will be returned and shipped back to the purchaser at no charge.

**THIS LIMITED WARRANTY DOES NOT APPLY TO ACCESSORY ITEMS THAT WEAR OUT FROM REGULAR USAGE OVER TIME INCLUDING BELTS, BRUSHES, BLADES, ETC.**

The warranty does not extend to generators damaged or affected by fuel contamination, accidents, neglect, misuse, unauthorized alterations, use in an application for which the product was not designed and any other modifications or abuse.

WEN® is not liable for any indirect, incidental or consequential damages from the sale or use of this product. Any implied warranties are limited to two (2) years as stated in this written limited warranty. Some states do not allow the exclusion or limitation of incidental or consequential damages. Some states do not allow limitation on the length of an implied warranty. This warranty gives you specific legal rights, and you may have other rights that vary from state to state.

**Thanks for remembering**

