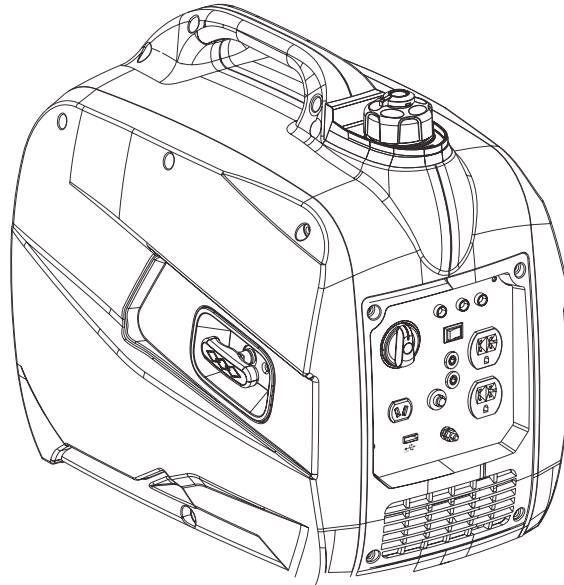




# 2000W INVERTER GENERATOR



Getting Started  
Video Guide:  
[bit.ly/56200i](http://bit.ly/56200i)

Model #56200i  
[bit.ly/WENvideo](http://bit.ly/WENvideo)


## IMPORTANT:

Your new tool has been engineered and manufactured to WEN's highest standards for dependability, ease of operation, and operator safety. When properly cared for, this product will supply you years of rugged, trouble-free performance. Pay close attention to the rules for safe operation, warnings, and cautions. If you use your tool properly and for intended purpose, you will enjoy years of safe, reliable service.



## NEED HELP? CONTACT US!

Have product questions? Need technical support?  
Please feel free to contact us at:

 **800-232-1195** (M-F 8AM-5PM CST)

 [techsupport@wenproducts.com](mailto:techsupport@wenproducts.com)

 [WENPRODUCTS.COM](http://WENPRODUCTS.COM)

## TABLE OF CONTENTS

---

Generator Identification.....	3
Service Record .....	3
Introduction .....	4
Safety Information .....	4
Generator Components .....	7
Generator Preparation .....	8
Starting the Generator .....	10
Stopping the Generator .....	12
Subsequent Starting of the Generator .....	12
Using the Generator.....	13
Maintenance & Care .....	15
Storage & Transport .....	19
Specifications .....	19
Troubleshooting.....	20
Exploded View and Parts List .....	21
Wiring Diagram .....	27
Warranty Statement .....	28

## GENERATOR IDENTIFICATION

If assistance for information or service is required, please contact the Customer Service Help Line by calling 800-232-1195; customer will be asked to provide generator information when calling.

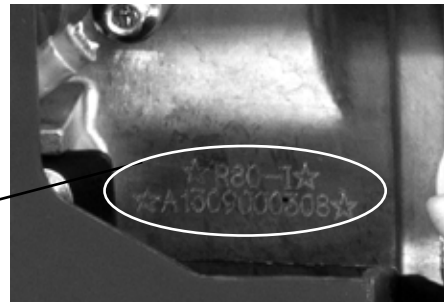
Refer to the illustration below for the location of the serial number. Record generator information in the spaces provided below.

DATE OF PURCHASE: \_\_\_\_\_

PURCHASED FROM: \_\_\_\_\_

GENERATOR MODEL NUMBER: \_\_\_\_\_

ENGINE SERIAL NUMBER: \_\_\_\_\_



SERIAL NUMBER

## SERVICE RECORD

Record Service Dates:

	Date	Date	Date	Date	Date	Date
Change Oil						
Change Spark Plug						
Clean Fuel Tank						
Clean Air Cleaner						

**NOTE: WE SUGGEST RUNNING YOUR GENERATOR AT LEAST ONCE A MONTH IN ORDER TO MAXIMIZE THE LIFESPAN OF THE GENERATOR.**

# INTRODUCTION

---

Thank you for purchasing a WEN Generator. This manual provides information regarding the safe operation and maintenance of this product. Every effort has been made to ensure the accuracy of the information in this manual. WEN reserves the right to change this product, manual and specifications at any time without prior notice.

Please keep this manual available to all users during the entire life of the generator.



This manual contains special messages to bring attention to potential safety concerns and generator damage as well as helpful operating and servicing information. Please read all the information carefully to avoid injury and machine damage.

## QUESTIONS? PROBLEMS?

In order to answer questions and solve problems in the most efficient and speedy manner, contact Customer Service at (800) 232-1195, M-F 8-5 CST

## NOTICE REGARDING EMISSIONS

Engines that are certified to comply with U.S. EPA emission regulations for SORE (Small Off Road Equipment), are certified to operate on regular unleaded gasoline, and may include the following emission control systems: (EM) Engine Modifications and (TWC) Three-Way Catalyst (if so equipped).

# SAFETY INFORMATION

---

Before operating this generator read and observe all warnings, cautions, and instructions both on the generator and in this owner's manual.

NOTE: The following safety information is not meant to cover all possible conditions and situations that may occur.

This safety alert symbol is used to identify safety information about hazards that can result in personal injury.



A signal word (DANGER, WARNING, or CAUTION) is used with the alert symbol to indicate the likelihood and the potential severity of injury. In addition, a hazard symbol may be used to represent the type of hazard.

DANGER indicates a hazard, which, if not avoided, will result in death or serious injury.

WARNING indicates a hazard, which, if not avoided, could result in death or serious injury.

CAUTION indicates a hazard, which, if not avoided, might result in minor or moderate injury.

CAUTION when used without the alert symbol, indicates a situation that could result in damage to the engine or generator.

## SAFETY INFORMATION

For any questions regarding the hazard and safety notices listed in this manual or on the product, please call (800) 232-1195 M-F 8-5 CST before using the generator.



### **DANGER: CARBON MONOXIDE**

Using a generator indoors **CAN KILL YOU IN MINUTES**. Generator exhaust contains carbon monoxide (CO). This is a poison gas you cannot see or smell. If you can smell the generator exhaust, you are breathing CO. But even if you cannot smell the exhaust, you could be breathing CO.

**NEVER** use a generator inside homes, garages, crawl spaces, or other partially enclosed areas. Deadly levels of carbon monoxide can build up in these areas. Using a fan or opening windows and doors does **NOT** supply enough fresh air. **ONLY** use a generator outside and far away from windows, doors, and vents. These openings can pull in generator exhaust.

Even if you use a generator correctly, CO may leak into the home. **ALWAYS** use a battery-powered or battery-backup CO alarm in the home. If you start to feel sick, dizzy, or weak after the generator has been running, move to fresh air **RIGHT AWAY**. See a doctor. You may have carbon monoxide poisoning.



**WARNING:** The exhaust from this product contains chemicals known to the State of California to cause cancer, birth defects, or other reproductive harm.



**WARNING:** This generator may emit highly flammable and explosive gasoline vapors, which can cause severe burns or even death if ignited. A nearby open flame can lead to explosion even if it isn't directly in contact with gasoline.

### **GENERATOR SAFETY RULES:**

- 1) Do not operate near open flame.
- 2) Do not smoke near generator.
- 3) Always operate on a firm, level surface.
- 4) Always turn generator off before refueling. Allow generator to cool for at least 2 minutes before removing fuel cap. Loosen cap slowly to relieve pressure in tank.
- 5) Do not overfill fuel tank. Gasoline may expand during operation. Do not fill to the top of the tank. Allow for expansion.
- 6) Always check for spilled fuel before operating.
- 7) Empty fuel tank before storing or transporting the generator.
- 8) Do not use in rainy conditions.
- 9) **ALWAYS** ground the generator before using it (see the "Ground the Generator" portion of the "Generator Preparation" section).
- 10) Generator should only be plugged into electrical devices, either directly or with an extension cord. **NEVER** connect to a building's electrical system without a qualified electrician. Such connections must comply with local electrical laws and codes. Failure to comply can create a back-feed, which may result in serious injury or death to utility workers.
- 11) Use a ground fault circuit interrupter (GFCI) in highly conductive areas such as metal decking or steel work. GFCIs are available in-line with some extension cords.
- 12) Do not touch bare wires or receptacles (outlets).
- 13) Do not allow children or non-qualified persons to operate the generator.

# SAFETY INFORMATION

## GENERATOR SAFETY RULES (CONTINUED):

- 14) Do not touch hot surfaces. Pay attention to warning labels on the generator identifying hot parts of the machine.
- 15) Allow generator to cool down after use before touching engine or areas of the generator that become hot during use.
- 16) Only use generator for its intended purposes.
- 17) Operate only on dry, level surfaces.
- 18) Allow generator to run for several minutes before connecting electrical devices.
- 19) Shut off and disconnect any malfunctioning devices from generator.
- 20) Do not exceed the wattage capacity of the generator by plugging in more electrical devices than the unit can handle.
- 21) Do not turn on electrical devices until after they are connected to the generator.
- 22) Turn off all connected electrical devices before stopping the generator.
- 23) Turn the engine switch to "OFF" position when the engine is not running.

**CAUTION:** Misuse of this generator can damage it or shorten its life.



**WARNING:** This generator produces heat when running. Temperatures near exhaust can exceed 150° F (65° C).

**SAVE THESE INSTRUCTIONS** - This manual contains important instructions for the WEN generator that should be followed during installation and maintenance of the generator.

Generators vibrate in normal use. During and after the use of the generator, inspect both the generator as well as extension and power supply cords for damage resulting from vibration. Have damaged items repaired or replaced as necessary. Do not use plugs or cords that show signs of damage such as broken or cracked insulation.

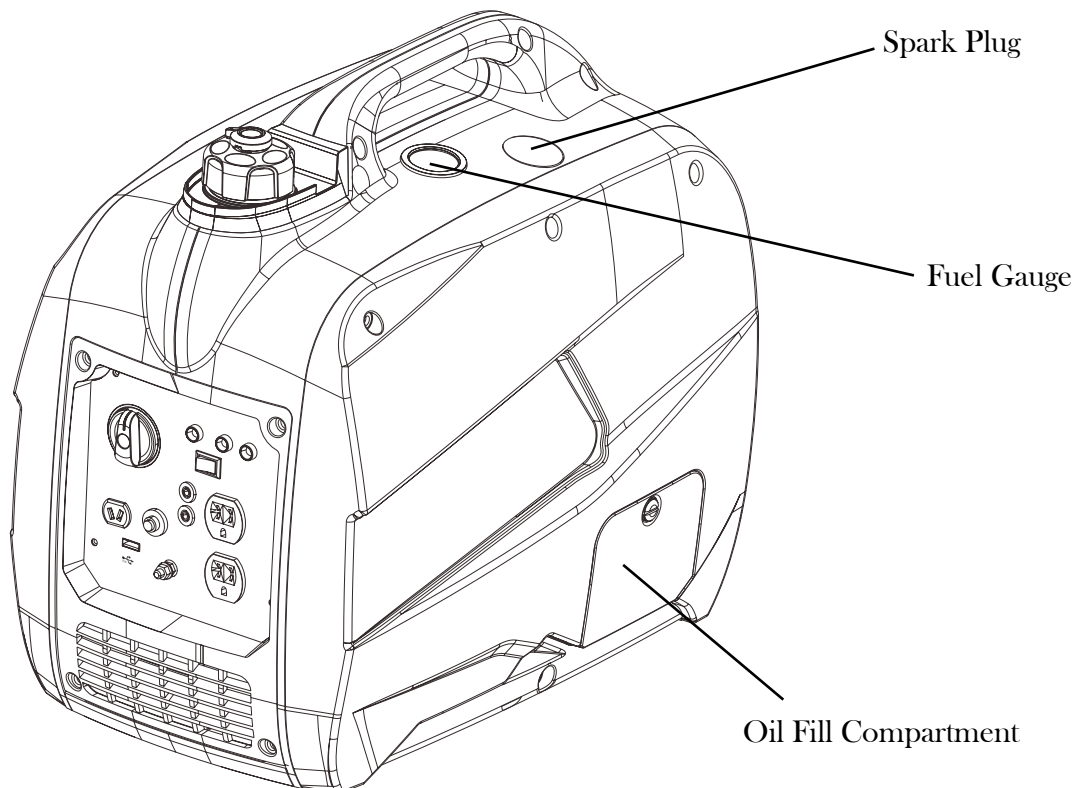
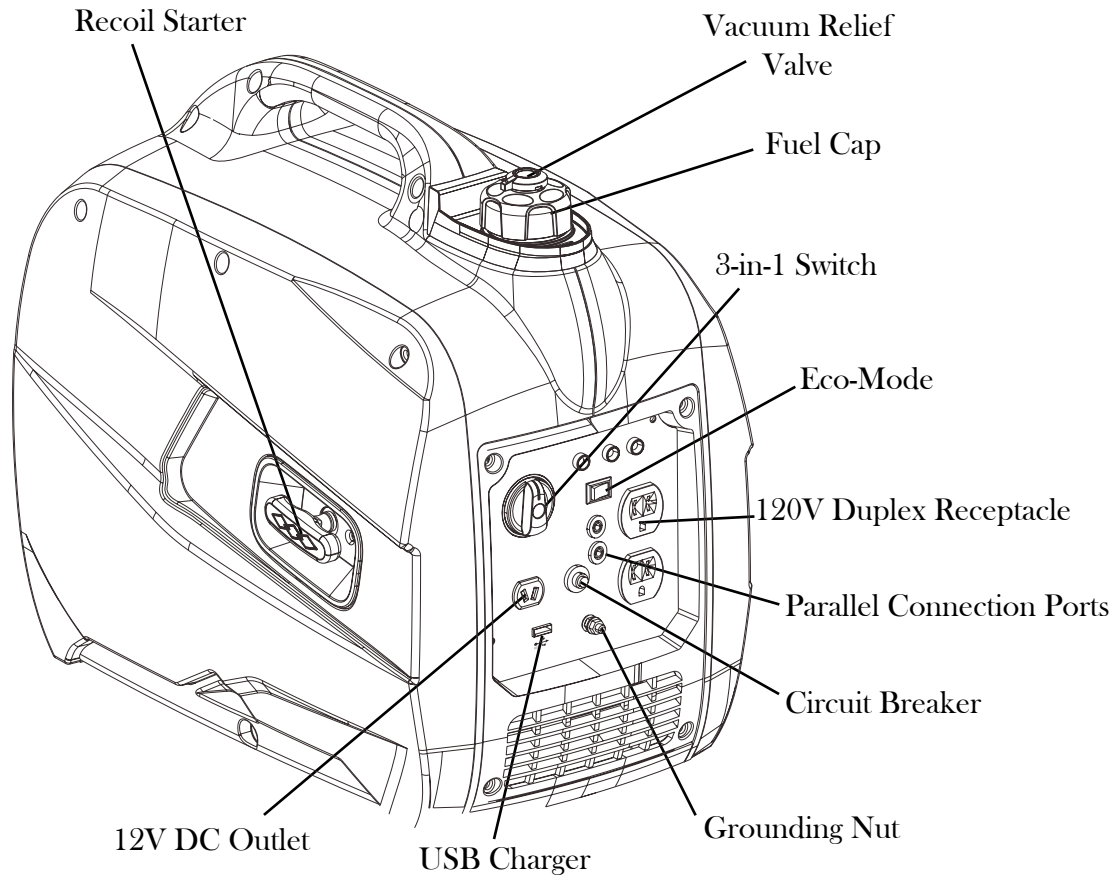
For power outages, permanently installed stationary generators are better suited for providing backup power to the home. Even a properly connected portable generator can become overloaded. This may result in overheating or stressing of the components, possibly leading to a generator failure.



**WARNING:** If this generator is used as a supply for a building's wiring system, the generator must be installed by a qualified electrician and connected to a transfer switch as a separately derived system in accordance with the National Electrical Code, NFPA 70. The generator shall be connected to a transfer switch that switches all conductors excluding the equipment grounding conductor. The frame of the generator shall be connected to an approved grounding electrode.

# GENERATOR COMPONENTS

Use the illustrations below to become familiar with the locations and functions of the various components and controls of this generator.



# GENERATOR PREPARATION

## USING THE GENERATOR FOR THE FIRST TIME

**CAUTION:** The following section describes the necessary steps to prepare the generator for use. If after reading this section, you are unsure about how to perform any of the steps please call (800) 232-1195 M-F 8-5 CST for customer service. Failure to perform these steps properly can damage the generator or shorten its life.

### STEP 1 - ADD OIL

The generator is shipped without oil. User must add the proper amount of oil before operating the generator for the first time. The oil capacity of the engine crankcase is 0.37 quarts (0.35 liters). For general use (above 40° F), we recommend 30W, 4-stroke engine oil.

#### To add oil, follow these steps:

Note: make sure the generator is on a level surface. Tilting the generator to assist in filling will cause oil to flow into the engine areas and will cause damage. Keep the generator level!

1. Using a coin, remove the oil cover on the righthand side of the generator.

2. Remove the dipstick from the engine (Fig. 2).

3. Add oil slowly, being careful not to overfill the unit. Fill the crank case to the upper fill line so the oil lands about halfway up the dipstick threads (Fig. 2).

4. To check the oil level, wipe the dipstick with a clean rag. Insert the dipstick into the oil fill opening without screwing it in. Remove the dipstick to check the oil mark.

5. Slowly add more oil and repeat step 4 until the oil mark reaches to the top of the dipstick (Fig. 2). Do not overfill the crankcase. The generator is equipped with a low-oil sensor and will not start without a sufficient amount of oil.

6. Check for oil leaks and firmly tighten the dipstick. Replace the side panel's oil cover upon completion.

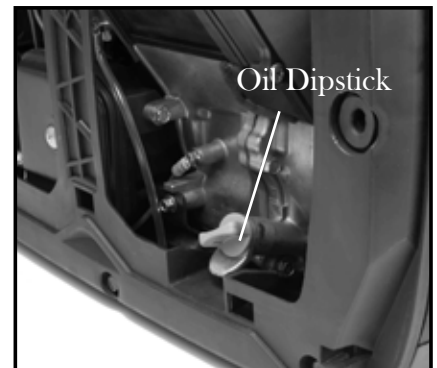
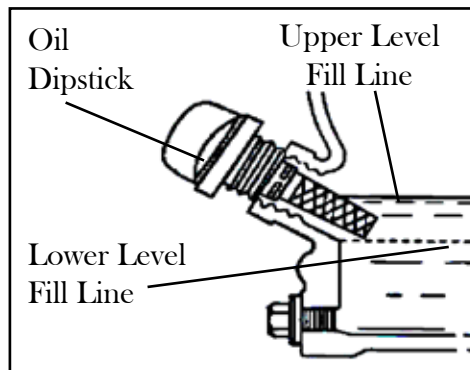
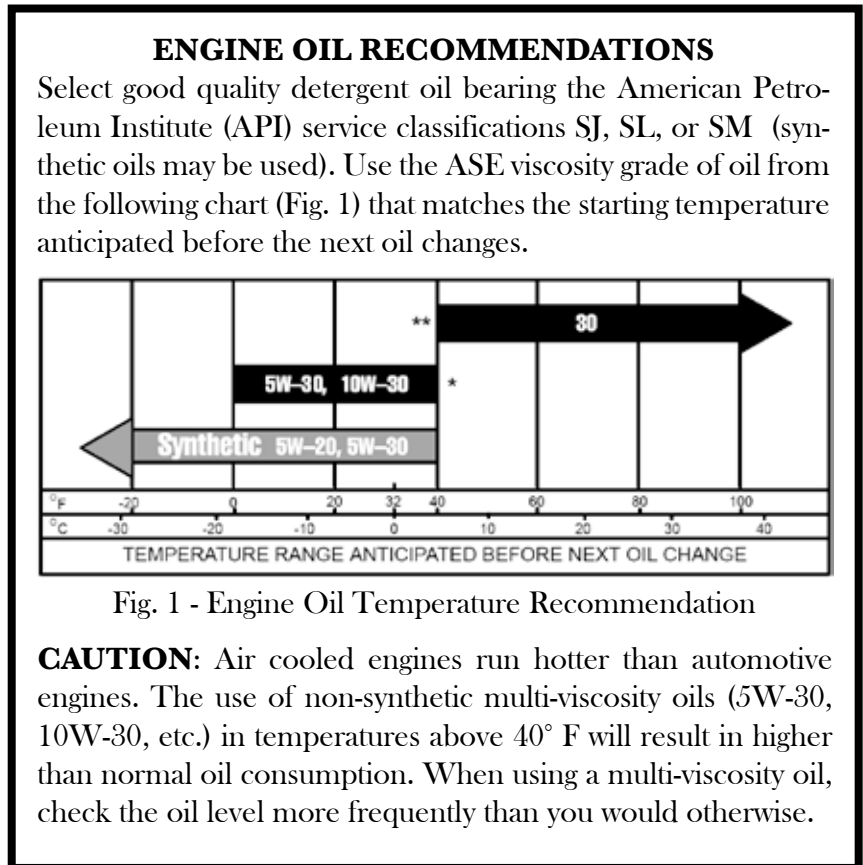


Fig. 2 - Oil Fill Opening, Dipstick and Oil Level



# GENERATOR PREPARATION



**WARNING:** This generator may emit highly flammable and explosive gasoline vapors, which can cause severe burns or even death if ignited. A nearby open flame can lead to explosion even if not directly in contact with gasoline.

## Step 2 - ADD GASOLINE

Use fresh (within 30 days from purchase), lead-free gasoline with a minimum of 87 octane rating. Do not mix oil with gasoline.

### To add gasoline, follow these steps:

1. Make sure the generator is on a level surface.
2. Unscrew fuel cap and set aside.

NOTE: The fuel cap may be tight and hard to unscrew.

3. Slowly add unleaded gasoline to the fuel tank. Be careful not to overfill. The capacity of the fuel tank is 1 gallon.

NOTE: Do not fill the fuel tank to the very top. Gasoline will expand and spill over during use even with the fuel cap in place.

4. Reinstall fuel cap and wipe clean any spilled gasoline with a dry cloth.

## STEP 3 - GROUND THE GENERATOR

Ground the generator by tightening the grounding nut on the front control panel against a grounding wire (Fig. 3). A generally acceptable grounding wire is a No. 12 AWG (American Wire Gauge) stranded copper wire. This grounding wire should be connected at the other end to a copper, brass, or steel-grounding rod that is driven into the earth. Wire and grounding rods are not included with the generator.

Grounding codes can vary by location. Contact a local electrician to check the area codes.

**NOTE: After completing the above preparation, the generator is ready to be started.**

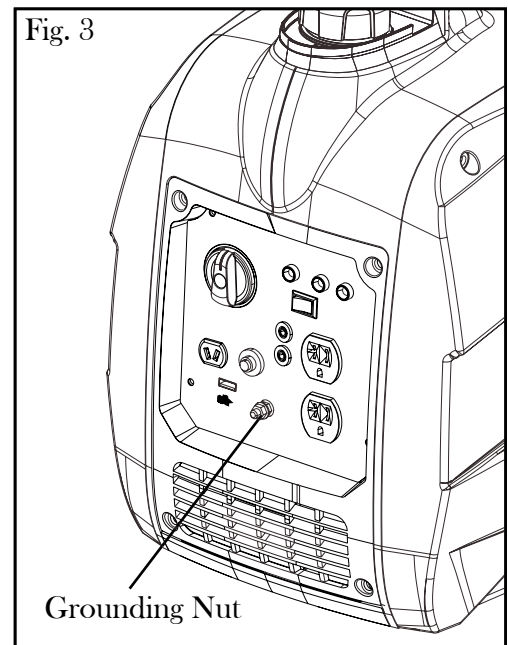


**WARNING:** Failure to properly ground the generator increases your risk of electric shock.

### IMPORTANT:

- Never use an oil/gasoline mixture.
- Never use old gasoline.
- Avoid getting dirt or water into the fuel tank.
- Gasoline can age in the tank and make starting difficult. Never store generator for extended periods of time with fuel in the tank.

Fig. 3



## STARTING THE GENERATOR

Before starting the generator, make sure you have read and performed the steps in the “Generator Preparation” section of this manual. If you are unsure about how to perform any of the steps in this manual please call (800) 232-1195 M-F 8-5 CST for customer service.



**DANGER: CARBON MONOXIDE - USING A GENERATOR INDOORS CAN KILL YOU IN MINUTES.**

Using a generator indoors **CAN KILL YOU IN MINUTES**. Generator exhaust contains carbon monoxide (CO). This is a poison gas you cannot see or smell. If you can smell the generator exhaust, you are breathing CO. But even if you cannot smell the exhaust, you could be breathing CO.

**NEVER** use a generator inside homes, garages, crawl spaces, or other partially enclosed areas. Deadly levels of carbon monoxide can build up in these areas. Using a fan or opening windows and doors does **NOT** supply enough fresh air. **ONLY** use a generator outside and far away from windows, doors, and vents. These openings can pull in generator exhaust.

Even if you use a generator correctly, CO may leak into the home. **ALWAYS** use a battery-powered or battery-backup CO alarm in the home. If you start to feel sick, dizzy, or weak after the generator has been running, move to fresh air **RIGHT AWAY**. See a doctor. You may have carbon monoxide poisoning.



**WARNING:** The exhaust from this product contains chemicals known to the State of California to cause cancer, birth defects, or other reproductive harm.



**WARNING:** This generator may emit highly flammable and explosive gasoline vapors, which can cause severe burns or even death if ignited. A nearby open flame can lead to explosion even if it isn't directly in contact with gasoline.



**WARNING:** This generator produces powerful voltage, which can result in electrocution.

**ALWAYS** ground the generator before using it (see the “Ground the Generator” portion of the “Generator Preparation” section).

Generator should only be plugged into electrical devices, either directly or with an extension cord. **NEVER** connect to a building electrical system without a qualified electrician. Such connections must comply with local electrical laws and codes. Failure to comply can create a back-feed, which may result in serious injury or death to utility workers.

Use a ground fault circuit interrupter (GFCI) in highly conductive areas such as metal decking or steel work. GFCIs are available in-line with some extension cords.

Do not use in rainy or wet conditions. Do not touch bare wires or receptacles (outlets). Do not allow children or non-qualified persons to operate.

**CAUTION:** Disconnect all electrical loads from the generator before attempting to start.

# STARTING THE GENERATOR



Fig. 4A



Fig. 4B



Fig. 4C



Fig. 4D

## STARTING THE ENGINE (FIG. 4)

To start the generator, perform the following steps:

1. Unplug all electrical devices from the generator during starting. Otherwise it can be difficult to start the engine.
2. To maximize safety, make sure the generator is properly grounded (Refer to “Ground the Generator”).
3. Check the oil and fuel levels.
4. Turn the ECO-MODE switch to “OFF.”
5. Open vacuum relief valve on top of fuel cap (Figure 4A). Rotate clockwise to the “ON” position.
6. Turn the 3-in-1 switch to the “CHOKE” position (Figure 4B).
7. Pull on the recoil starter handle slowly until a slight resistance is felt, then pull quickly to start the engine. Return cord gently into the recoil starter. Never allow the cord to snap back.
8. Once the engine has started, slowly turn the 3-in-1 switch to the “ON” position (Figure 4C).
9. To turn the generator off, turn the knob to the OFF position (Figure 4E).

Allow the generator to run for several minutes before attempting to connect any electrical devices. This allows the generator to stabilize its speed and temperature.

**NOTE:** Turn the knob to the Fuel Shut-off Position (Figure 4D) in order to stop the flow of fuel from the gas tank to the engine.

## ECO-MODE IDLE SWITCH

This generator is equipped with an Eco-Mode Idle Control Switch. Engaging the switch automatically adjusts the engine to match the load. When the electrical load changes, the generator engine will automatically speed up and slow down as needed. This reduces fuel consumption and noise levels. Keep this switch engaged when the power load requirement is less than 1000W. Do not engage the Idle Control Switch when the total load is more than 1000W. The generator engine must run at full speed to supply power for anything over 1000W.



Fig. 4E

# STOPPING THE GENERATOR

---

## TO STOP THE GENERATOR

1. Turn off all electrical devices prior to unplugging them from the generator. Unplugging running devices can cause damage to the generator.
2. Turn the 3-in-1 knob to the “OFF” position (Fig. 4E).
3. Close the vacuum relief valve on top of fuel cap (Fig. 4A). Rotate counterclockwise to the “OFF” position.



**WARNING:** Allow the generator to cool for several minutes before touching areas that become hot during use.

**CAUTION:** Allowing gasoline to sit in the fuel tank for long periods of time can make it difficult to start the generator in the future. Never store the generator for extended periods of time with fuel in the fuel tank. Refer to Generator Storage Section.

## SUBSEQUENT STARTING OF THE GENERATOR

---

If this is not the first time using the generator, the user should take the following steps to prepare it for operation.

**IMPORTANT:** At this point the user should be familiar with the procedures described in the sections titled “Starting the Generator” and “Generator Preparation.” If the user has not yet read these sections, go back and read them now.

### Step 1 - CHECK THE OIL

Oil consumption is normal during generator use. The generator is equipped with a low oil pressure shutoff to protect it from damage. The oil level of the engine should be checked before each use to ensure that the engine crankcase contains sufficient lubricant.

To check or add oil, follow these steps:

1. Make sure the generator is on a level surface. Access the oil dipstick by removing the side panel’s oil cover using a coin.
2. Remove the oil filler/dipstick cap and check the oil level.
3. If oil level is below the second thread from the lip of the oil fill opening, slowly add oil until the engine crankcase is filled.
4. Reinstall and tighten oil cap before starting the engine.

### IMPORTANT:

- Use only UNLEADED gasoline.
- Do not use old gasoline.
- Never use an oil/gasoline mixture.
- Avoid getting dirt or water into the fuel tank.

### Step 2 - CHECK THE FUEL LEVEL

Before starting the generator, check to see that there is sufficient gasoline in the fuel tank. Add additional gasoline as necessary but leave sufficient room in the tank for expansion.

## SUBSEQUENT STARTING OF THE GENERATOR

---

### Step 3 - GROUND THE GENERATOR



**WARNING:** Failure to properly ground the generator increases the chances of electric shock.

Ground the generator by tightening the grounding nut on the front control panel against a grounding wire (Fig. 3). A generally acceptable grounding wire is a No. 12 AWG (American Wire Gauge) stranded copper wire. This grounding wire should be connected at the other end to a copper, brass, or steel-grounding rod that is driven into the earth. Wire and grounding rod are not included in generator contents. Grounding codes can vary by location. Contact a local electrician for area codes.

## USING THE GENERATOR

---

Before connecting electrical devices, allow the generator to run for a few minutes to stabilize the speed and voltage output.

**CAUTION:** Become familiar with the markings on the panel before connecting electrical devices.

Connect electrical devices running on AC current according to their wattage requirements. The chart in Figure 5 shows the rated and surge wattage of the generator.

The rated (running) wattage is the wattage the generator can produce on a continuous basis.

The surge wattage is the maximum amount of power the generator can produce for an extremely short period of time (seconds). Many electrical devices such as refrigerators require short bursts of extra power in addition to the rated wattage listed by the device to start their motors. The surge wattage ability of the generator covers this extra power requirement.

Item	Rated (Running) Wattage	Surge Wattage
56200i	1600	2000

Fig. 5 - Generator Wattage

The total running wattage requirement of the electrical devices connected to the generator should not exceed the rated wattage of the generator itself. To calculate the total wattage requirement of the electrical devices you plan to connect, find the rated (or running) wattage of each device. This number should be listed somewhere on the device or in its instruction manual. If this wattage cannot be found, calculate it by multiplying the Voltage requirement by the Amperage drawn:

$$\text{Watts} = \text{Volts} \times \text{Amperes}$$

## USING THE GENERATOR

If the electrical specifications are not available for your electronic devices, estimate the watts requirement of the device by using the chart in Figure 6.

When the rated wattage requirement of each electrical device has been determined, add these numbers to find the total rated wattage needed. If this number exceeds the rated wattage of the generator, **DO NOT** connect all these devices. Select a combination of electrical devices, which have a total rated wattage lower than or equal to the rated wattage of the generator.

**CAUTION:** The generator can run at its surge wattage capacity for only a short time. Connect electrical devices requiring a rated (running) wattage equal to or less than the rated wattage of the generator. Never connect devices requiring a rated wattage equal to the surge wattage of the generator. This can trip the circuit protectors (circuit breakers).

<b>Tool or Appliance</b>	<b>Rated (Running) Watts</b>	<b>ADDITIONAL SURGE WATTS</b>
Saw - circular	1500	1500
Air compressor (1 HP)	1500	3000
Window air conditioner	1200	1800
Saw - miter	1200	1200
Microwave	1000	0
Well water pump	1000	1000
Saw - reciprocating	960	1040
Sump pump	800	1200
Refrigerator freezer	800	1200
Furnace blower	800	1300
Computer	800	0
Electric drill	600	900
Television	500	0
Deep freezer	500	500
Garage door opener	480	0
Stereo	400	0
Box fan	300	600
Clock radio	300	0
Security system	180	0
DVD player / VCR	100	0
Common light bulb	75	0

Fig. 6 - Estimated wattage requirements of common electrical devices

Note: The above wattage figures are estimates. Check the wattage listed on the electrical device before consulting this chart. Once the electrical devices have been chosen, connect them according to the following procedure:

1. Plug in each electrical device, making sure that the device is turned off.
2. Check the overload light and power indicator light. If the overload light is on, unplug the electronics, then restart the generator before plugging the load back in. If the reset button does not reset, wait several minutes and try again. If the power light still does not come on, call the customer service number for further instructions.

## USING THE GENERATOR

---

**CAUTION:** Do not connect 50Hz loads to the generator.

### SOME NOTES ABOUT POWER CORDS

Long or thin cords can drain the power provided to an electrical device by the generator. When using such cords, allow for a slightly higher rated wattage requirement by the electrical device. See Figure 7 for recommended cords based on the power requirement of the electrical device.

Device Requirements		Max. Cord Length (ft) by Wire Gauge				
		#8 wire	#10 wire	#12 wire	#14 wire	#16 wire
Amps	Watts (120V)					
2.5	300	NR	NR	NR	375	250
5	600	NR	NR	300	200	125
7.5	900	NR	350	200	125	100
10	1200	NR	250	150	100	50
15	1800	NR	150	100	65	NR

\*NR = Not Recommended

Fig. 7 - Maximum Extension Cord Lengths by Power Requirement

If an overload occurs, shut down the generator. Unplug all electrical devices and wait five minutes. Then, start the unit back up again to get power back.

## MAINTENANCE/CARE

---

Proper routine maintenance of the generator will help prolong the life of the machine. Please perform maintenance checks and operations according to the schedule in Figure 8.

If there are any questions about the maintenance procedures listed in this manual, please call (800) 232-1195 M-F 8-5 CST.

**CAUTION:** Never perform maintenance operations while the generator is running.

Recommended Maintenance Schedule		Each 8 hours or daily	Every 25 hours	Every 3 months or 50 hours	Every 6 months or 100 hours	Every year	As necessary
Engine oil	Check level	x					
	Replace		x*	x*			x
Air cleaner cartridge	Check		x		x		
	Clean				x		
Spark plug	Check/clean				x		
	Change					x	x
Fuel tank	Check level	x					
	Clean					x	

Fig. 8 - Recommended maintenance schedule

\* Clean/change more often under dusty conditions or operating under heavy load.

# MAINTENANCE

## HIGH ALTITUDE OPERATION ABOVE 3000 FEET

The fuel system on this generator may be affected by operation at high altitudes. Proper operation can be ensured by installing an altitude kit at altitudes higher than 3000 feet above sea level. At elevations above 8000 feet, the engine may experience a decrease in performance, even with the proper altitude kit. Operating this generator without said kit may increase the engine's emissions and decrease both fuel economy and performance.

The kit should be installed by a qualified mechanic. Refer to the instructions included with your altitude kit for more information about installation. You can order the kit at [wenproducts.com](http://wenproducts.com) by searching part 56200i-HA36 for 3000 to 6000 feet above sea level or 56200i-HA68 for 6000 to 8000 feet above sea level.



**WARNING:** To prevent serious injury from fire, follow the kit installation procedures in a well-ventilated area away from ignition sources. If the engine is hot from use, shut the engine off and wait for it to cool before proceeding. Do not smoke near the generator. Warranty will be void if adjustments are not made for high altitude use.

## CLEANING THE GENERATOR

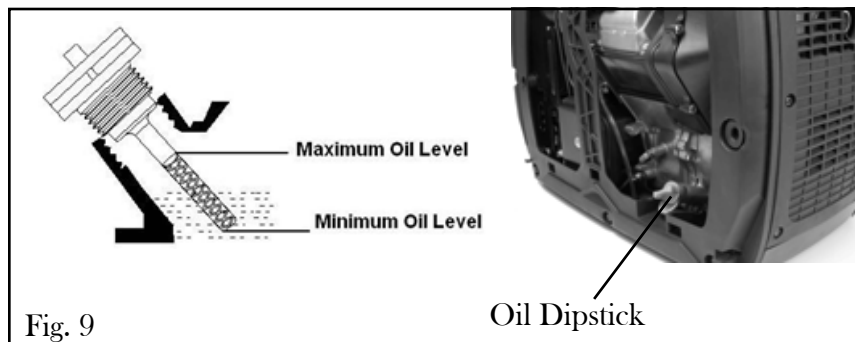
Never clean the generator when it is running! Never clean with a bucket of water or a hose. Water can get inside the working parts of the generator and cause corrosion or a short circuit.

Always try to use the generator in a cool, dry place. If the generator becomes dirty, clean the exterior with a damp cloth, a soft brush, a vacuum or pressurized air.

## CHECKING THE OIL

Check the oil level of the generator according to the Recommended Maintenance Schedule in Fig. 9. The generator is equipped with an automatic shutoff to protect it from running on low oil. The generator should be checked before each use for proper oil level. This is a critical step for proper engine starting. To check the oil level:

1. Make sure the generator is on a level surface.
2. Open access panel. Clean around oil fill. Remove dipstick and wipe the dipstick with a clean rag. Insert the dipstick into the oil fill opening without screwing in. Remove the dipstick to check the oil mark. Add oil if the oil mark covers less than one half of the dipstick.
3. Slowly add more oil and repeat step 2 until the oil mark reaches to the top of dipstick (Fig. 10). Do not over fill the crankcase.
4. Reinstall oil dipstick and access panel.





## MAINTENANCE & CARE

### CHANGING/ADDING OIL

Change the oil according to the Recommended Maintenance Schedule in Figure 9 using the maintenance hatch door found on the side panel of the generator.. Change the oil when the engine is warm. This will allow for complete drainage. Change oil more often if operating under heavy load or high ambient temperatures. It is also necessary to drain the oil from the crankcase if it has become contaminated with water or dirt. The oil capacity of the generator engine is 0.37 qts. Add oil when the oil level is low. For proper type and weight of oil refer to “add oil” portion of the “Generator Preparation” section.

1. Place generator on elevated platform such as table or desk. Put a container next to it to hold the used oil. Turn the vacuum relief valve to “OFF” position.
2. Unscrew the dipstick from the engine and set aside.
3. Tilt the generator so the used oil flows from the engine into the container. Tilt some more to ensure all oil is out of the crankcase.
4. Fill the crankcase with fresh oil and reinstall the dipstick. Clean any oil spillage before closing the side panel.

#### To refill the crankcase with oil, follow these steps:

1. Make sure the generator is on a level surface. Tilting the generator to assist in filling will cause oil to flow into engine areas and will cause damage. Keep generator level!
2. Remove the dipstick from the engine.
3. Using a funnel or appropriate dispenser, add the correct amount of oil into the crankcase. The engine is equipped with a low oil pressure sensor and will not start if the amount of oil is insufficient.
4. Reinstall dipstick.

**NOTE:** Never dispose of used motor oil in the trash or down a drain. Please call a local recycling center or auto garage to arrange oil disposal.

### AIR CLEANER MAINTENANCE

Routine maintenance of the air cleaner helps maintain proper airflow to the carburetor. Occasionally check that the air cleaner is free of excessive dirt. Refer to Recommended Maintenance Schedule in Figure 8.

1. Remove the side panel opposite of the recoil starter by unscrewing the three screws around the outside edge.
2. Take the cover off of the air cleaner assembly by unscrewing the middle screw in order access the foam air cleaner assembly (Fig. 10).
3. Check and clean the foam air cleaner element. Replace with a new one if the element is damaged. Good elements can be washed in soapy water, dried and reused. There is no need to add oil to the element. Wipe off excessive oil from the air cleaner case. Small amount of oil in the element is normal and necessary for the engine to work properly.
4. Reinstall the air cleaner element, cartridge and access panel.

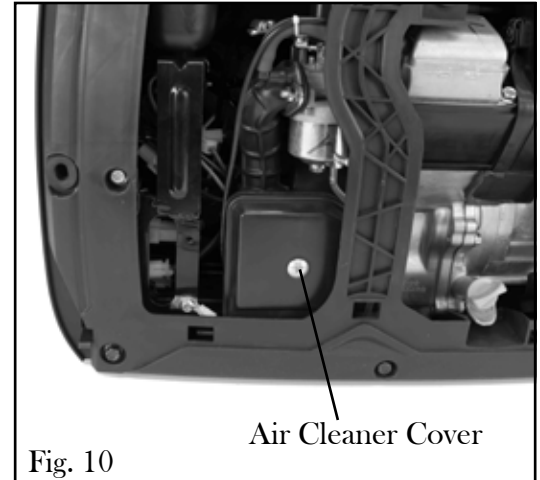


Fig. 10

Air Cleaner Cover

## MAINTENANCE & CARE

---

### SPARK PLUG MAINTENANCE (Fig. 11)

The spark plug is important for proper engine operation. A good spark plug should be intact, free of deposits, and properly gapped. Refer to Recommended Maintenance Schedule in Figure 8. To inspect the spark plug:

1. Remove side panel.
2. Remove spark plug boot. Be careful not to tear insulation or wire.
3. Unscrew the spark plug from the engine using the spark plug wrench provided. There is limited space for the wrench to turn. Use both rows of holes in the spark plug wrench to gain leverage to loosen the plug.
4. Visually inspect the spark plug for cracks or excessive electrode wear. Replace as necessary.
5. Measure the plug gap with a wire gauge. The gap should be 0.6-0.7 mm (0.024-0.028 in).
6. If re-using the spark plug, use a wire brush to clean any dirt from around the spark plug base then re-gap the spark plug.
7. Screw the spark plug back into the spark plug hole using the spark plug wrench. Do not over-tighten spark plug. Recommended tightening of spark plug is  $\frac{1}{2}$  to  $\frac{3}{4}$  of a turn after spark plug gasket contacts spark plug hole. Reinstall the spark plug boot and control panel.

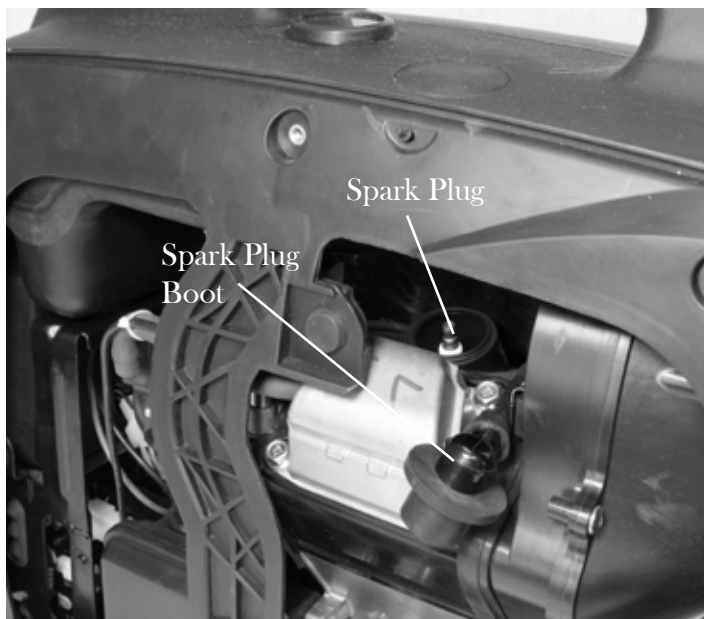


Fig. 11 - Spark Plug Location

### DRAINING THE FUEL TANK

Clean fuel tank each year and before storing the generator for longer than one to two months. To drain the fuel tank and carburetor:

1. Remove the fuel cap; carefully turn the generator over to pour the gasoline in the fuel tank to appropriate container.
2. Once fuel is drained, reinstall the fuel cap.
3. Turn on the engine and keep the engine running until it stops. This burns out the fuel in the carburetor and fuel tank.
4. Store the emptied gasoline in a suitable place.

**CAUTION:** Do not store fuel for more than two months.

**NOTE: WE SUGGEST RUNNING YOUR GENERATOR AT LEAST ONCE A MONTH IN ORDER TO MAXIMIZE THE LIFESPAN OF THE GENERATOR.**

## STORAGE & TRANSPORT PROCEDURES

---

**CAUTION:** Never place any type of storage cover on the generator while it is still hot.

If the generator is being stored for short periods of time (30 to 60 days), add stabilized fuel to the fuel tank until full. **NOTE:** Filling the tank reduces the amount of air in the tank and helps fight deterioration of fuel. Run the engine for 2 - 3 minutes allowing stabilized fuel mixture to circulate through the carburetor. When storing the generator for extended periods of time:

- Drain the fuel tank (see “Draining the Fuel Tank” in the “Maintenance” section).
- Change oil.
- Do not obstruct any ventilation openings.
- Keep the generator in a cool dry area.

When transporting generator:

- Drain the fuel tank if possible (see “Draining the Fuel Tank” in the “Maintenance” section).
- Keep the generator upright. Never place the generator side down. Doing so will make it difficult to start.

## SPECIFICATIONS

---

### DC Output

Rated Voltage	12 V DC
Rated Amperage	8.3 A
Rated Wattage	100 W
USB Charger	5 V, 1A

### AC Output

Rated Wattage	1600 Watts
Surge Wattage	2000 Watts
Rated Voltage	120 V
Rated Amperage	13.3 A
Frequency	60 Hz
Phase	Single

### Engine

Engine type	4 stroke, OHV, single cylinder with forced air cooling system
Spark plug gap	0.6 - 0.7 mm (0.024 - 0.028 in)
Spark plug torque	1/2 - 3/4 turn after gasket contacts base or 15 ft.lb
Displacement	79.7 cc
Fuel tank capacity	1 gallon 87 octane minimum
Oil capacity	0.37 quarts (0.35 liters)
Lubrication system	Splash lubrication
Run time on 50% load	6 hours
Noise rating: (tested from 22 ft away with an ambient dB rating of 44 dB)	50 dB at no load 51 dB at 1/4 load 52 dB at 1/2 load 55 dB at 3/4 load
Spark plug	A5RTC

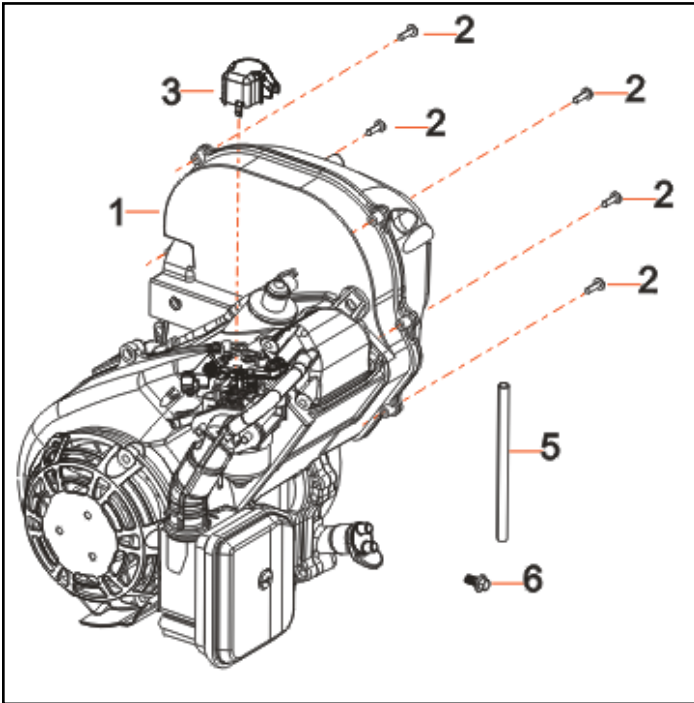
# TROUBLESHOOTING

---

**IMPORTANT:** If trouble persists, please call our customer help line at (800) 232-1195 M-F 8-5 Central Time.

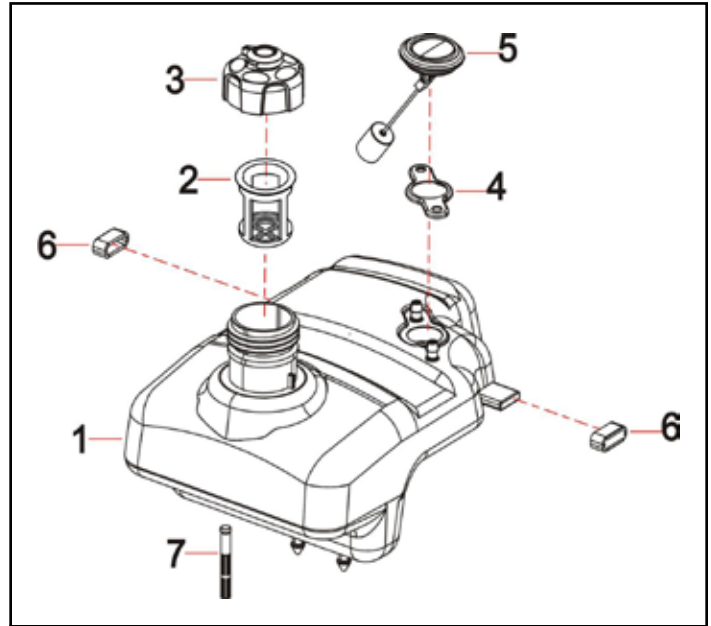
<b>Problem</b>	<b>Cause</b>	<b>Solution</b>
Engine will not start	Engine switch in "OFF" position	Set engine switch to "CHOKE" position.
	Engine is filled with contaminated or old fuel	Change the fuel in the tank.
	Not enough oil in crankcase	Add or replace oil.
	Air cleaner is dirty.	Clean or replace air cleaner.
	Spark plug is dirty.	Clean spark plug.
	Spark plug is broken.	Replace spark plug.
	Generator is not on level surface.	Move generator to a level surface to prevent low oil shutdown from triggering.
	Engine needs maintenance	Get a professional engine tune-up at an authorized small engine repair shop
Engine stops	Generator was tilted when adding oil, or shipped side-down	Remove spark plugs, turn off engine switch then pull recoil starter four times to remove oil form the combustion chamber.
	Vacuum relief valve in "OFF" position	Turn vacuum relief valve to "ON" position
	Not enough oil in crankcase	Add or change oil
Blue smoke in exhaust	Engine is out of fuel	Add fuel.
	Generator inclined, oil entered combustion chamber	Move generator to a level position
Generator runs but does not support all electrical devices connected.	Too much oil was added to the crankcase.	Drain excessive oil.
	Bad connecting wires/cables.	If using an extension cord, try a different one.
	Bad electrical device connected to generator.	Try connecting a different device
	Generator is overloaded, Overload light is on	Perform these steps: 1. Turn off all electrical devices. 2. Unplug all electrical devices. 3. Shut down the engine. 4. Wait several minutes and then start the engine. 5. Try connecting fewer electrical loads to the generator.
	Short in one of the connected devices.	Try disconnecting any faulty or short-circuited electrical loads.

# EXPLODED VIEW AND PARTS LIST



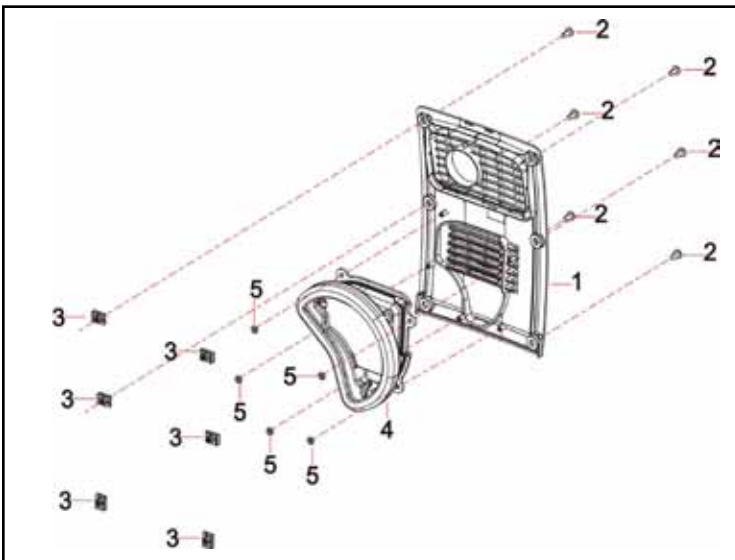
**Fig. 1 - Engine**

No.	Part Number	Description	Qty.
1-1	56200-0101	Engine	1
1-2	56200-0102	Screw	5
1-3	56200-0103	Cap	1
1-5	56200-0105	Fuel Tube	1
1-6	56200-0106	Bolt	1



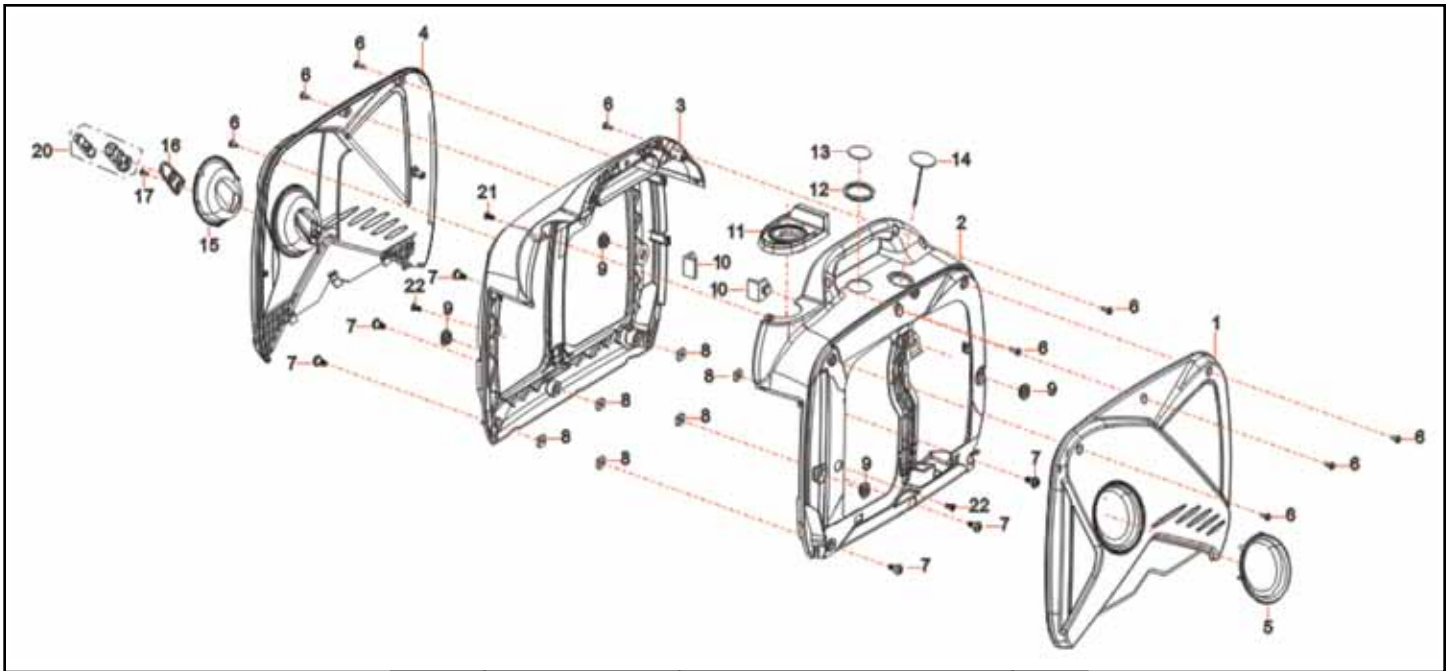
**Fig. 2 - Fuel Tank**

No.	Part Number	Description	Qty.
2-1	56200-0201	Fuel Tank	1
2-2	56200-0202	Fuel Filter	1
2-3	56200-0203	Fuel Tank Cover	1
2-4	56200-0204	Oil Seal Clamp	1
2-5	56200-0205	Fuel Gauge	1
2-6	56200-0206	Bush	2
2-7	56200-0207	Strainer Element	1
2-8	56200-0208	Fuel Line	1
2-9	56200-0209	Collar	1
2-10	56200-0210	Collar	1
2-11	56200-0211	Rubber Jacket	1



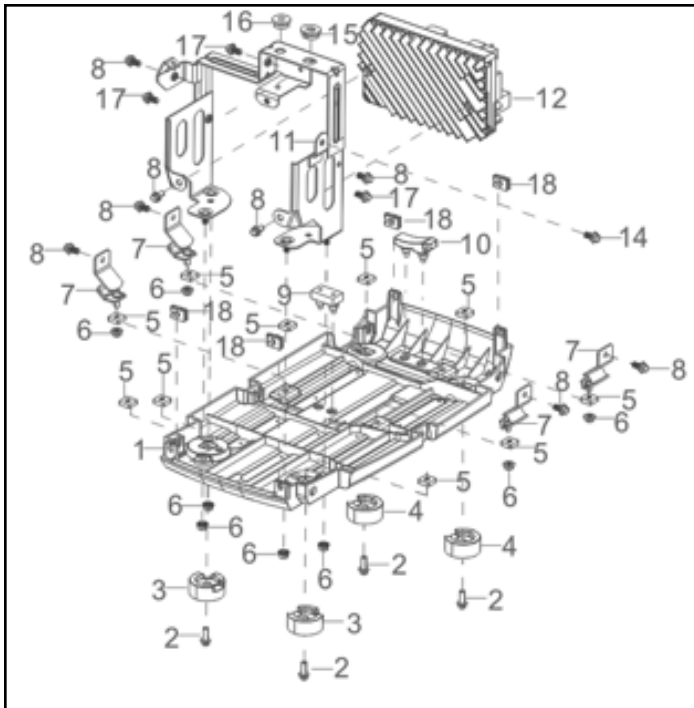
**Fig. 3. Muffler Side Shield**

No.	Part Number	Description	Qty.
3-1	56200-0301	Muffler Side Cover	1
3-2	56200-0302	Washer and Screw	6
3-3	56200-0303	Joint Rubber Cushion	1
3-4	56200-0304	Spring Clip	5



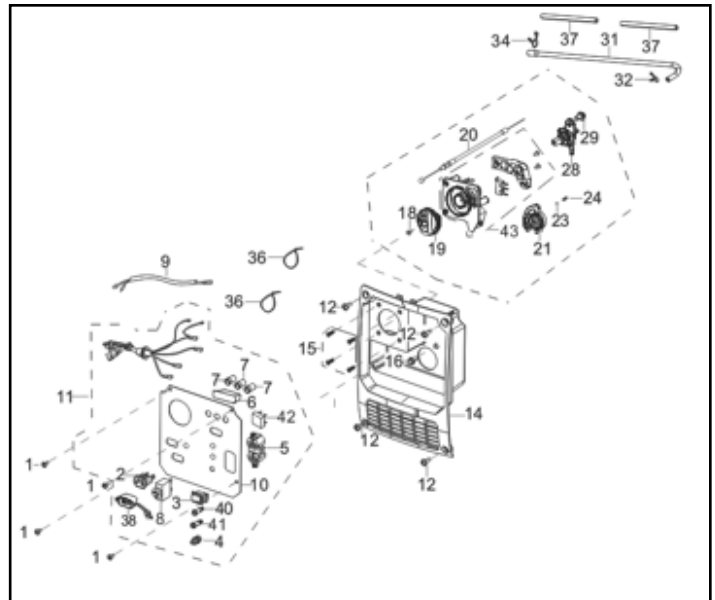
**Fig. 4 - Outer Casing**

No.	Part Number	Description	Qty.
4-1	56200-0401B	Right Cover	1
4-2	56200-0402	Right Shell	1
4-3	56200-0403	Left Shell	1
4-4	56200-0404B	Left Cover	1
4-6	56200-0406	Washer and Screw	9
4-7	56200-0407	Bolt	6
4-8	56200-0408	Stud	6
4-9	56200-0409	Fuel Tank Rubber Sleeve	4
4-10	56200-0410	Rubber Washer	1
4-11	56200-0411	Gas Tank Opening	1
4-12	56200-0412	Rubber Jacket	1
4-13	56200-0413	Fuel Gauge	1
4-14	56200-0414	Rubber Jacket	1
4-16	56200-0416B	Recoil Starter Guide	1
4-17	56200-0417	Washer and Screw	2
4-20	56200-0420	Starter Cable Handle	1
4-21	56200-0421B	Screw	1
4-22	56200-0422	Bolt	2
4-23	56200-0423	Nut	6
4-24	56200-0424B	Right Maintenance Door	1
4-25	56200-0425B	Bolt	1
4-26	56200-0426B	Lever	1
4-27	56200-0427B	Nut	1



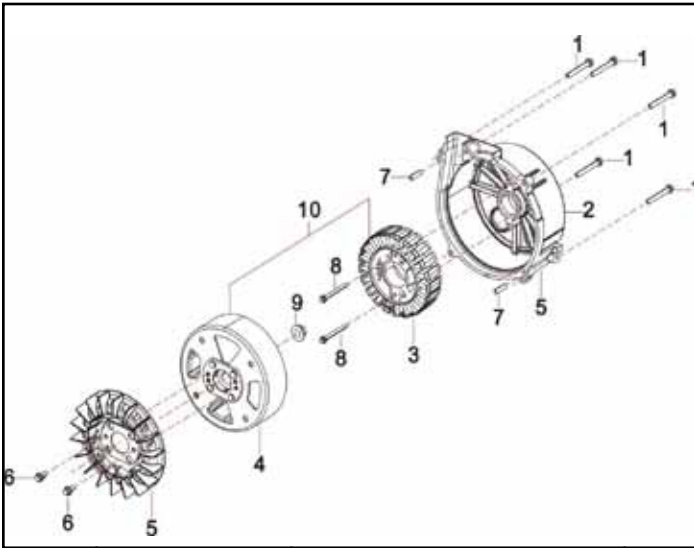
**Fig. 5 - Inverter Assembly**

No.	Part Number	Description	Qty.
5-1	56200-0501	Bottom Plate	1
5-2	56200-0502	Bolt	4
5-3	56200-0503	Frame Seat	2
5-4	56200-0504	Frame Seat	2
5-5	56200-0505	Nut	10
5-6	56200-0506	Nut	8
5-7	56200-0507	Engine Frame Cushion	4
5-8	56200-0508	Bolt	8
5-9	56200-0509	Bracket Cushion Rubber Bracket	1
5-10	56200-0510	Bracket Cushion Rubber Bracket	1
5-11	56200-0511	Inverter Support	1
5-12	56200-0512B	Inverter	1
5-15	56200-0515	Fuel Tank Rubber Sleeve	1
5-16	56200-0516	Fuel Tank Rubber Sleeve	1
5-17	56200-0517	Bolt	3
5-18	56200-0518	Nut	4



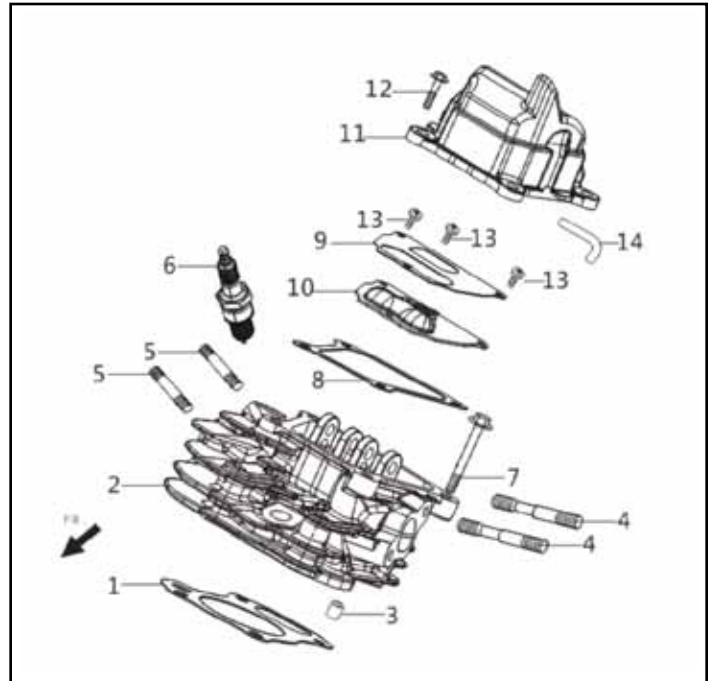
**Fig. 6 - Control Panel**

No.	Part Number	Description	Qty.
6-1	56200-0601B	Screw	4
6-2	56200-0602	DC Outlet	1
6-3	56200-0603	Idle Switch	1
6-4	56200-0604	Grounding Terminal	1
6-5	56200-0605	120V Duplex Receptacle	1
6-6	56200-0606B	Overload Indicator	1
6-7	56200-0607B	Output Indicator	3
6-8	56200-0608	Circuit Breaker 20A 1 Pole	1
6-9	56200-0609B	Control Panel Wiring	1
6-10	56200-0610B	Control Panel	1
6-11	56200-0611B	Control Panel Assembly	1
6-12	56200-0612	Washer and Screw	4
6-14	56200-0614	Panel Seat	1
6-15	56200-0615	Screw	4
6-16	56200-0617	Bolt	1
6-18	56200-0618	Screw	1
6-19	56200-0619	Knob	1
6-20	56200-0620	Choke Handle Assembly	1
6-21	56200-0621B	Cover Plate	1
6-23	56200-0623	Steel Ball	1
6-24	56200-0624B	Stopper Adjusting Spring	1
6-28	56200-0628	Fuel Cock Assembly	1
6-29	56200-0629	Bolt	1
6-31	56200-0631	Fuel Tube	1
6-32	56200-0632	Collar	2
6-34	56200-0634	Collar	1
6-36	56200-0636	Band	2
6-37	56200-0637	Rubber Jacket	3
6-38	56200-0638B	USB Plug	1
6-40	56200-0640	Parallel Kit Socket	1
6-41	56200-0641	Parallel Kit Socket	1
6-42	56200-0642B	Rectifier Bridge	1
6-43	56200-0643B	Switch Assembly	1



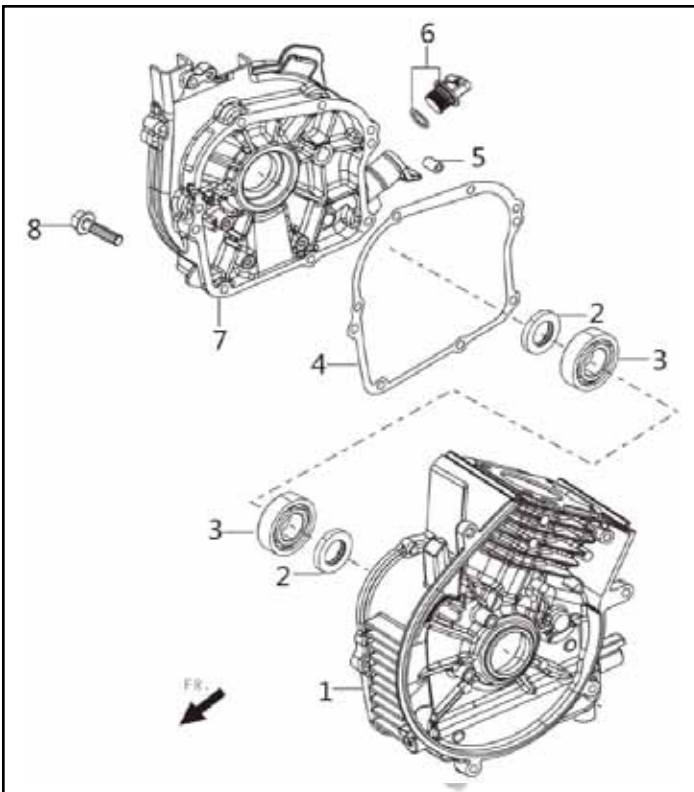
**Fig. 7 - Rotor/Stator**

No.	Part Number	Description	Qty.
7-1	56200-0701	Bolt	5
7-2	56200-0702	Motor Shroud	1
7-3	56200-0703B	Stator Comp	1
7-4	56200-0704	Rotor Comp	1
7-5	56200-0705	Impeller	1
7-6	56200-0706	Bolt	2
7-7	56200-0707	Pin	2
7-8	56200-0708	Bolt	2
7-9	56200-0709	Nut	1



**Fig. 8 - Cylinder Head/Spark Plug**

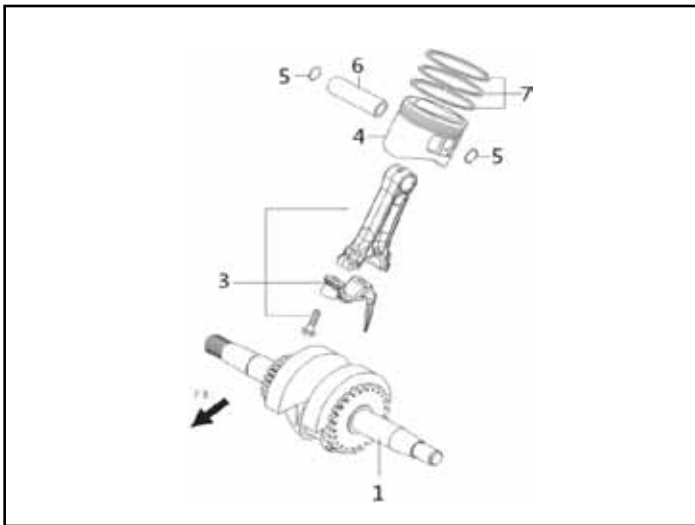
No.	Part Number	Description	Qty.
8-1	56200-0801	Cylinder Head Gasket	1
8-2	56200-0802	Cylinder Head Assembly	1
8-3	56200-0803	Pin	2
8-4	56200-0804	Stud	2
8-5	56200-0805	Stud	2
8-6	56200-0806B	Spark Plug	1
8-7	56200-0807	Cylinder Head Bolt	4
8-8	56200-0808	Cylinder Head Cover Gasket	1
8-9	56200-0809	Breath Groove	1
8-10	56200-0810	Breath Groove Gasket	1
8-11	56200-0811	Cylinder Head Cover Assembly	1
8-12	56200-0812	Bolt	4
8-13	56200-0813	Bolt	3
8-14	56200-0814	Breather Tube	1



**Fig. 9 - Crankcase & Cover Assembly**

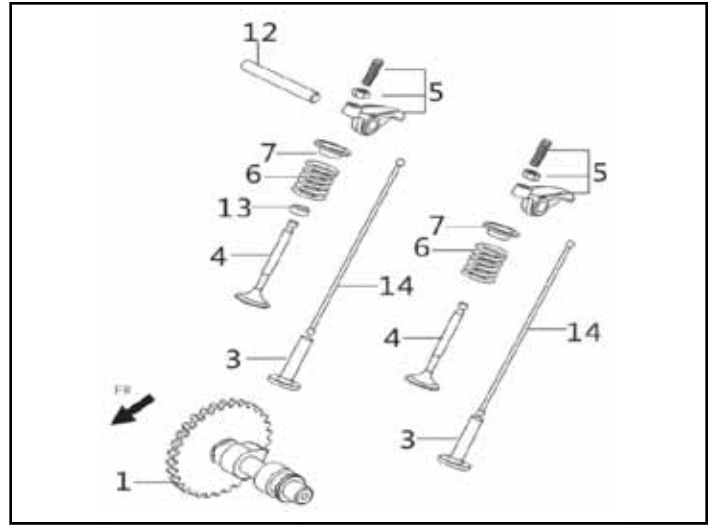
No.	Part Number	Description	Qty.
9-1	56200-0901	Crackcase Assembly	1
9-2	56200-0902	Oil Seal	2
9-3	56200-0903	Bearing	2
9-4	56200-0904	Crankcase Gasket	1
9-5	56200-0905	Pin	2
9-6	56200-0906	Oil Dipstick	1
9-7	56200-0907	Crankcase Cover	1
9-8	56200-0908	Bolt	7





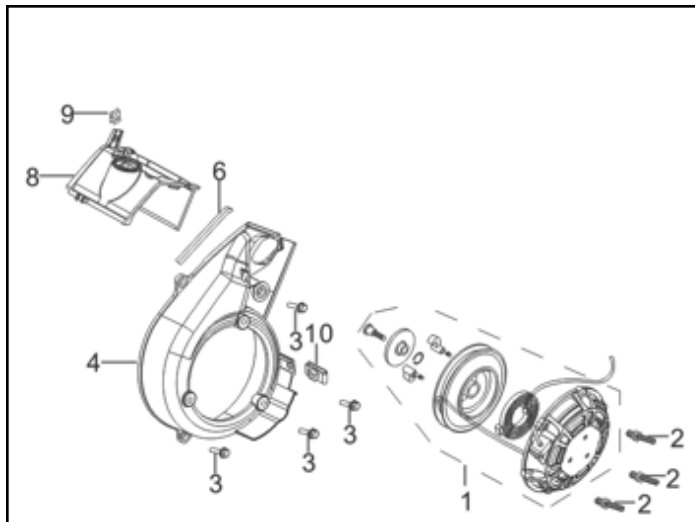
**Fig. 10 - Piston Ring Set & Crankshaft**

No.	Part Number	Description	Qty.
10-1	56200-1001	Crankshaft	1
10-3	56200-1002	Connecting Rod	1
10-4	56200-1003	Piston	1
10-5	56200-1004	Piston Pin Clip	2
10-6	56200-1005	Piston Pin Clip	1
10-7	56200-1007	Piston Ring Assembly	1



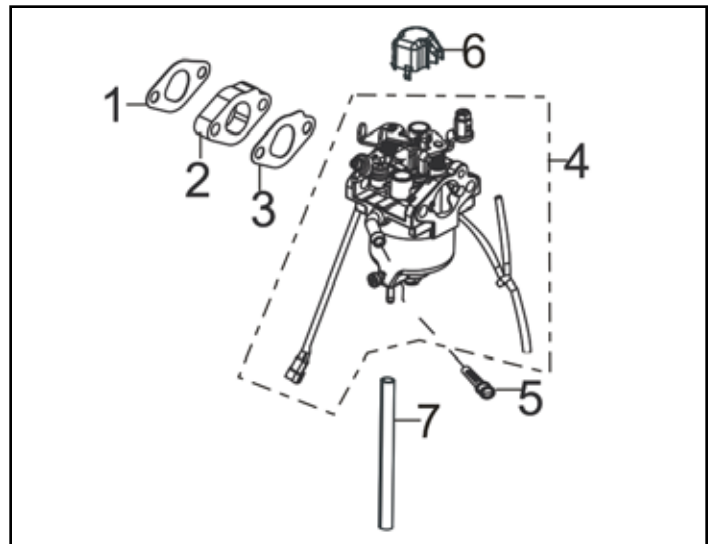
**Fig. 11 - Camshaft Assembly & Valve Train**

No.	Part Number	Description	Qty.
11-1	56200-1101	Camshaft Assembly	1
11-3	56200-1103	Valve Tappet	2
11-4	56200-1104	Valve Tappet	1
11-5	56200-1105	Valve Rocker Assembly	2
11-6	56200-1106	Valve Spring	2
11-7	56200-1107	Valve Spring Seat	2
11-12	56200-1112	Valve Rocker Shaft	1
11-13	56200-1113	Seal Guide	1
11-14	56200-1114	Valve Lifter	2



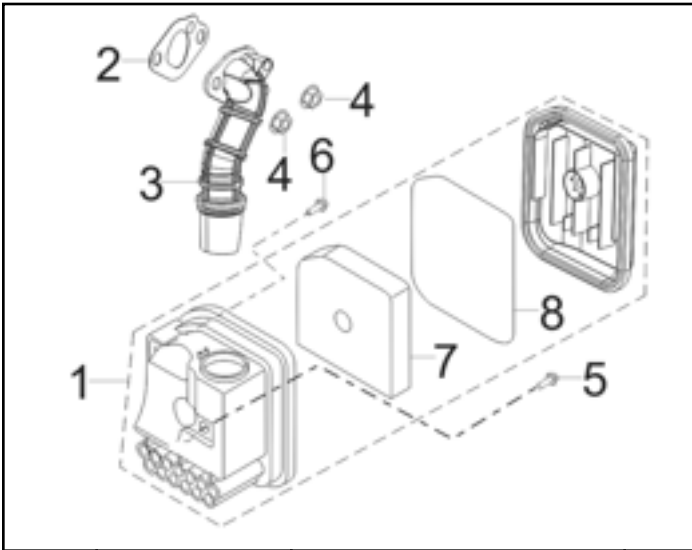
**Fig. 12 - Recoil Starter**

No.	Part Number	Description	Qty.
12-1	56200-1201	Recoil Starter Assembly	1
12-2	56200-1202B	Bolt	3
12-3	56200-1203	Bolt	4
12-4	56200-1204	Shroud	1
12-6	56200-1206	Shroud Seal Strip	1
12-8	56200-1208	Cylinder Head Shroud Plate	1
12-9	56200-1209B	Stop Plate	1
12-10	56200-1210	Nut	1



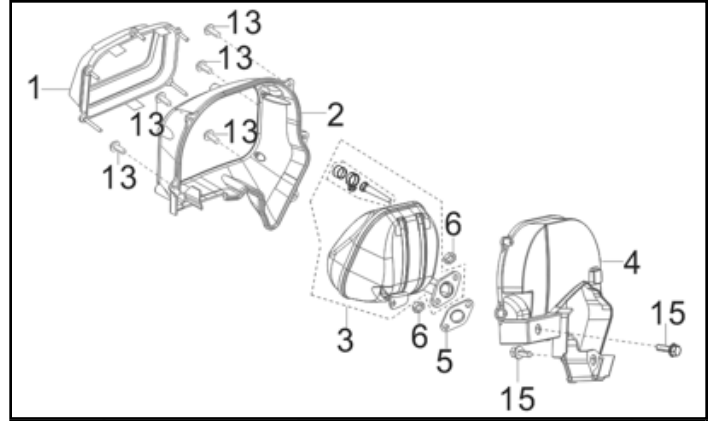
**Fig. 13 - Carburetor Assembly**

No.	Part Number	Description	Qty.
13-1	56200-1301	Carburetor Gasket	1
13-2	56200-1302	Carburetor Insulator Plate	1
13-3	56200-1303	Insulator Gasket	1
13-4	56200-1304B	Carburetor	1
13-5	56200-1305	Fuel Strainer	1
13-6	56200-1306B	Cap	1
13-7	56200-1307B	Fuel Line	1



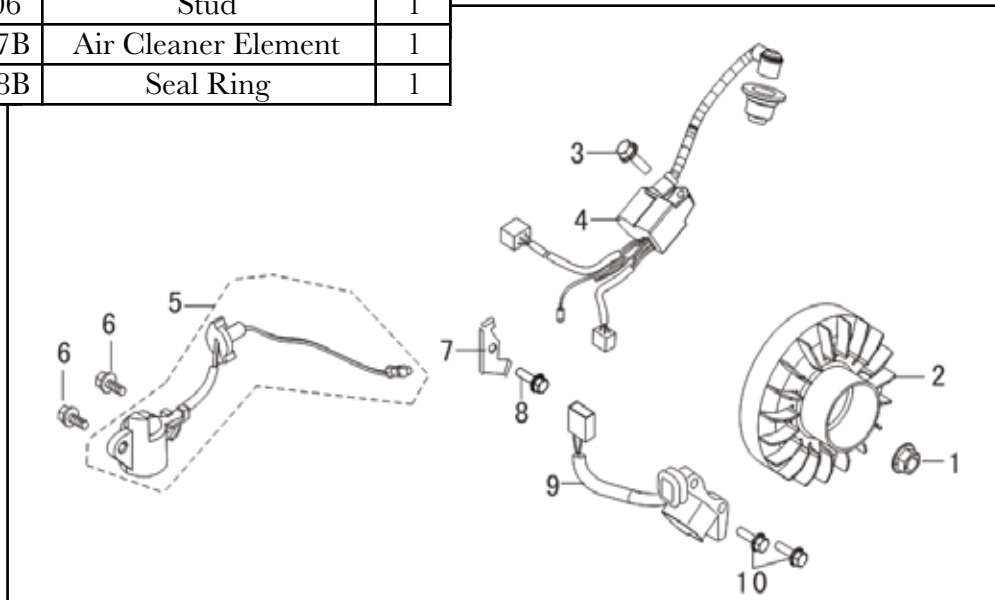
**Fig. 14 - Air Cleaner**

No.	Part Number	Description	Qty.
14-1	56200-1401	Air Cleaner	1
14-2	56200-1402	Air Cleaner Gasket	1
14-3	56200-1403	Air Cleaner Intake Duct	1
14-4	56200-1404	Nut	2
14-5	56200-1405	Stud	1
14-6	56200-1406	Stud	1
14-7	56200-1407B	Air Cleaner Element	1
14-8	56200-1408B	Seal Ring	1



**Fig. 15 - Muffler Assembly**

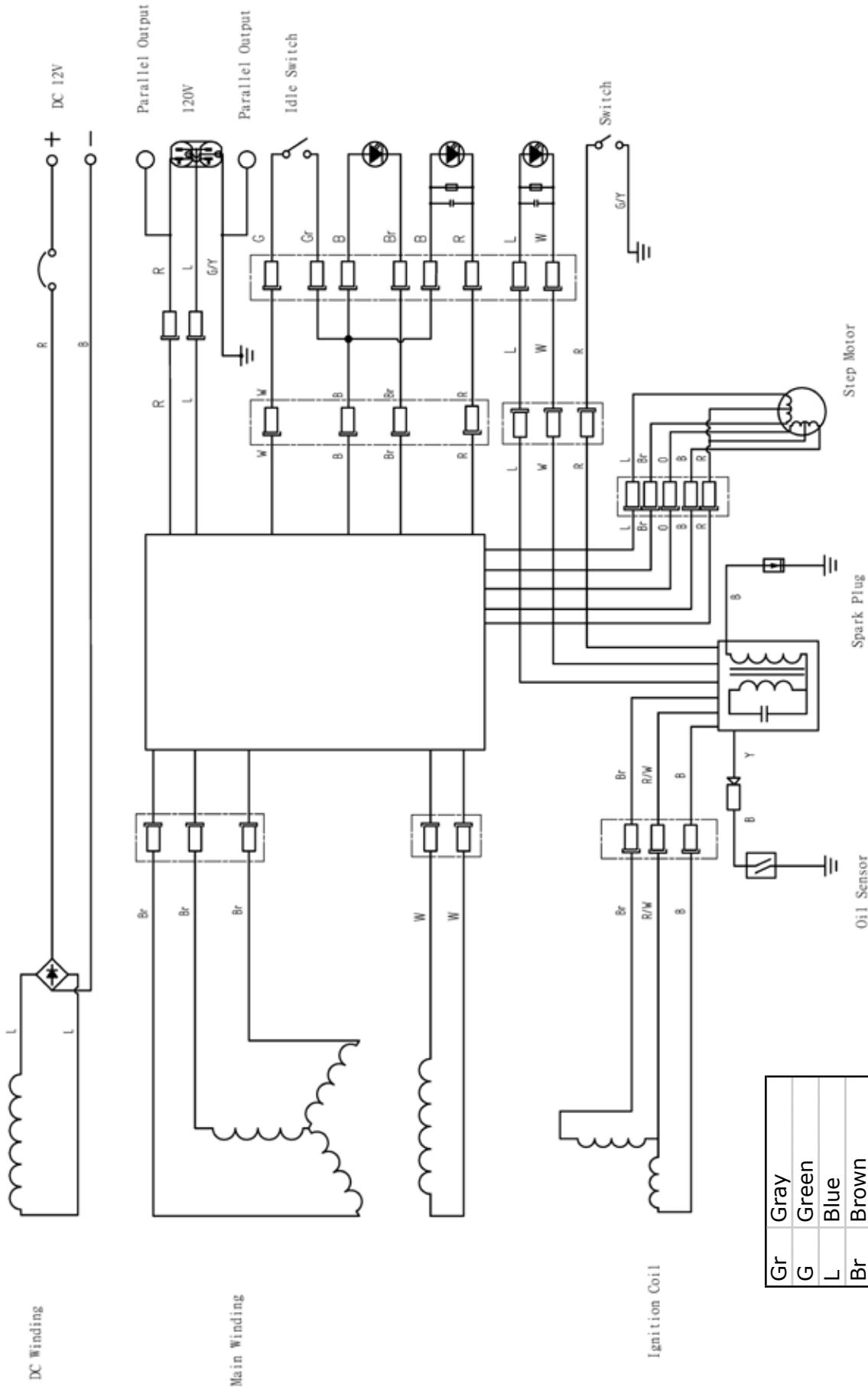
No.	Part Number	Description	Qty.
15-1	56200-1501	Muffler Side Cover	1
15-2	56200-1502	Muffler Shroud	1
15-3	56200-1503	Muffler Body	1
15-4	56200-1504	Muffler Shield	1
15-5	56200-1505	Exhaust Gasket	1
15-6	56200-1506	Nut	2
15-13	56200-1513	Screw	5
15-15	56200-1515B	Bolt	2



**Fig. 16 - Flywheel & Ignition Coil**

No.	Part Number	Description	Qty.
16-1	56200-1601	Flywheel Nut	1
16-2	56200-1602	Flywheel Assembly	1
16-3	56200-1603	Bolt	1
16-4	56200-1604B	Igniter	1
16-5	56200-1605	Engine Oil Sensor	1
16-6	56200-1606	Bolt	2
16-7	56200-1607	Clamp	1
16-8	56200-1608	Bolt	1
16-9	56200-1609	Ignition Coil	1
16-10	56200-1610	Bolt	2

# WIRING DIAGRAM



Gr	Gray
G	Green
L	Blue
Br	Brown
G/Y	Green/Yellow
R/W	Red/White
R	Red
B	Black
W	White
O	Orange
Y	Yellow

## WARRANTY STATEMENT

---

Remember to save the receipt and to accurately fill out and mail the product registration card. Proof of purchase is required for all warranty work.

WEN® generators are under warranty to be free from defects in materials and workmanship for a period of two (2) years from date of original purchase. Generators used for Commercial or Rental use have a warranty period of 90 days from date of original purchase. Keep purchase receipt and mail in the product registration card for proof of purchase.

WEN® will repair or replace, at its discretion, any part that is proven to be defective in materials or workmanship under normal use during the two (2) years warranty period. Warranty repairs or replacements will be made without charge for parts or labor. Parts replaced during warranty repairs will be considered as part of the original product and will have the same warranty period as the original product.

To exercise the warranty, **DO NOT RETURN TO RETAILER**. Instead, call the toll free Customer Service number at (800) 232-1195 and you will be instructed on where to take the generator for warranty service. Take the generator and proof of purchase (the receipt) to the repair facility recommended by the Customer Service Representative. To make a claim under this Limited Warranty, you must make sure to keep a copy of your proof of purchase that clearly defines the Date of Purchase (month and year) and the Place of Purchase. Place of purchase must be a direct vendor of Great Lakes Technologies, LLC. Third party vendors such as garage sales, pawn shops, resale shops, or any other secondhand merchant void the warranty included with this product. Contact [techsupport@wenproducts.com](mailto:techsupport@wenproducts.com) or 1-800-232-1195 to make arrangements for repairs and transportation.

When returning a product for warranty service, the shipping charges must be prepaid by the purchaser. The product must be shipped in its original container (or an equivalent), properly packed to withstand the hazards of shipment. The product must be fully insured with a copy of the warranty card and/or the proof of purchase enclosed. There must also be a description of the problem in order to help our repairs department diagnose and fix the issue. Repairs will be made and the product will be returned and shipped back to the purchaser at no charge.

**THIS LIMITED WARRANTY DOES NOT APPLY TO ACCESSORY ITEMS THAT WEAR OUT FROM REGULAR USAGE OVER TIME INCLUDING BELTS, BRUSHES, BLADES, ETC.**

The warranty does not extend to generators damaged or affected by fuel contamination, accidents, neglect, misuse, unauthorized alterations, use in an application for which the product was not designed and any other modifications or abuse.

WEN® is not liable for any indirect, incidental or consequential damages from the sale or use of this product. Any implied warranties are limited to two (2) years as stated in this written limited warranty. Some states do not allow the exclusion or limitation of incidental or consequential damages. Some states do not allow limitation on the length of an implied warranty. This warranty gives you specific legal rights, and you may have other rights that vary from state to state.