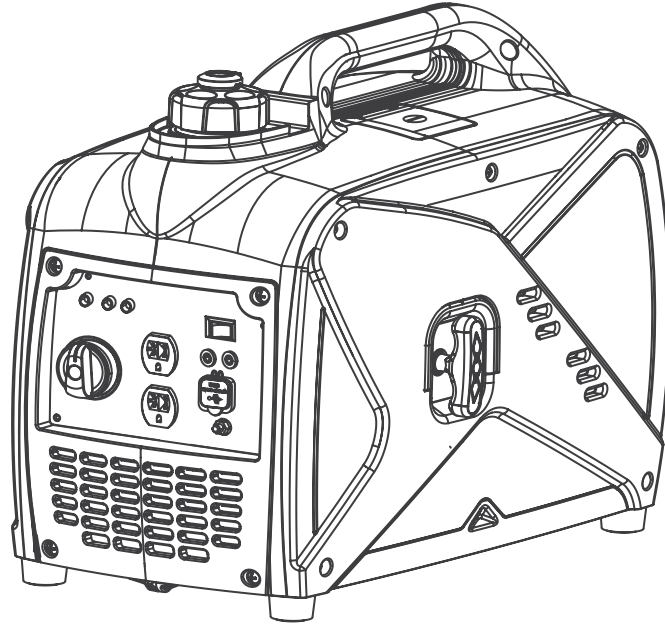




# 1250W INVERTER GENERATOR



Model #56125i  
[bit.ly/WENvideo](http://bit.ly/WENvideo)


## IMPORTANT:

Your new tool has been engineered and manufactured to WEN's highest standards for dependability, ease of operation, and operator safety. When properly cared for, this product will supply you years of rugged, trouble-free performance. Pay close attention to the rules for safe operation, warnings, and cautions. If you use your tool properly and for intended purpose, you will enjoy years of safe, reliable service.



## NEED HELP? CONTACT US!

Have product questions? Need technical support?  
Please feel free to contact us at:

 **800-232-1195** (M-F 8AM-5PM CST)

 **techsupport@wenproducts.com**

 **WENPRODUCTS.COM**

## TABLE OF CONTENTS

---

Generator Identification . . . . .	3
Service Record . . . . .	3
Introduction . . . . .	4
Safety Information . . . . .	4
Generator Components . . . . .	7
Generator Preparation . . . . .	8
Starting the Generator . . . . .	10
Stopping the Generator . . . . .	12
Subsequent Starting of the Generator . . . . .	12
Using the Generator . . . . .	13
Maintenance & Care . . . . .	15
Specifications . . . . .	19
Troubleshooting . . . . .	20
Storage & Transport . . . . .	20
Exploded View and Parts List . . . . .	21
Wiring Diagram . . . . .	26
Warranty Statement . . . . .	27

## GENERATOR IDENTIFICATION

If assistance for information or service is required, please contact the Customer Service Help Line by calling 800-232-1195; customer will be asked to provide generator information when calling.

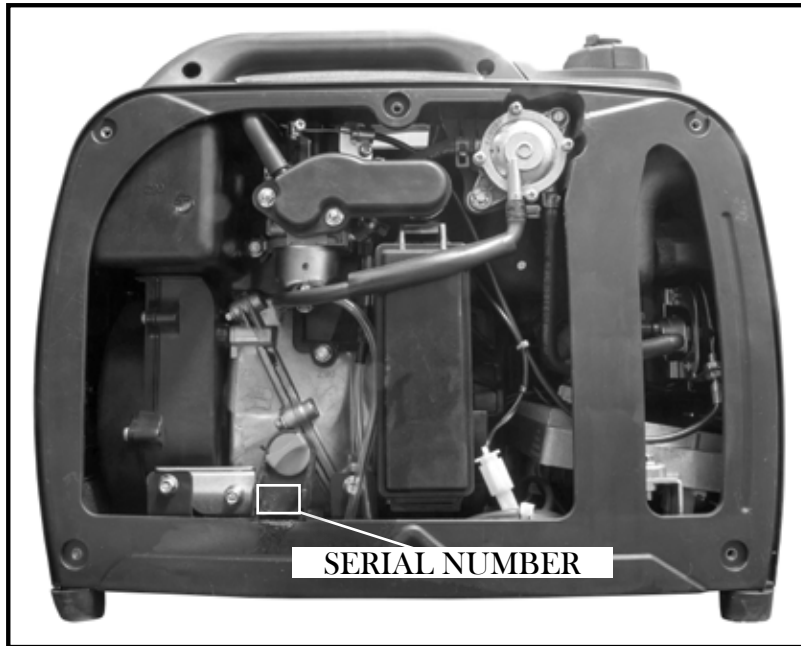
Refer to the illustration below for the location of the serial number. Record generator information in the spaces provided below.

DATE OF PURCHASE: \_\_\_\_\_

PURCHASED FROM: \_\_\_\_\_

GENERATOR MODEL NUMBER: \_\_\_\_\_

ENGINE SERIAL NUMBER: \_\_\_\_\_



## SERVICE RECORD

Record Service Dates:

	Date	Date	Date	Date	Date	Date
Change Oil						
Change Spark Plug						
Clean Fuel Tank						
Clean Air Cleaner						

**NOTE: WE SUGGEST RUNNING YOUR GENERATOR AT LEAST ONCE A MONTH FOR 15 TO 30 MINUTES IN ORDER TO MAXIMIZE THE LIFESPAN OF THE GENERATOR.**

**PLUG A SMALL LOAD IN TO MAKE SURE THE OUTLETS ARE PRODUCING ELECTRICITY.**

# INTRODUCTION

---

Thank you for purchasing a WEN Generator. This manual provides information regarding the safe operation and maintenance of this product. Every effort has been made to ensure the accuracy of the information in this manual. WEN reserves the right to change this product, manual and specifications at any time without prior notice.

Please keep this manual available to all users during the entire life of the generator.



This manual contains special messages to bring attention to potential safety concerns and generator damage as well as helpful operating and servicing information. Please read all the information carefully to avoid injury and machine damage.

## QUESTIONS? PROBLEMS?

In order to answer questions and solve problems in the most efficient and speedy manner, contact Customer Service at (800) 232-1195, M-F 8-5 CST

## NOTICE REGARDING EMISSIONS

Engines that are certified to comply with U.S. EPA emission regulations for SORE (Small Off Road Equipment), are certified to operate on regular unleaded gasoline, and may include the following emission control systems: (EM) Engine Modifications and (TWC) Three-Way Catalyst (if so equipped).

# SAFETY INFORMATION

---

Before operating this generator read and observe all warnings, cautions, and instructions both on the generator and in this owner's manual.

NOTE: The following safety information is not meant to cover all possible conditions and situations that may occur.

This safety alert symbol is used to identify safety information about hazards that can result in personal injury.



A signal word (**DANGER**, **WARNING**, or **CAUTION**) is used with the alert symbol to indicate the likelihood and the potential severity of injury. In addition, a hazard symbol may be used to represent the type of hazard.

**DANGER** indicates a hazard, which, if not avoided, will result in death or serious injury.

**WARNING** indicates a hazard, which, if not avoided, could result in death or serious injury.

**CAUTION** indicates a hazard, which, if not avoided, might result in minor or moderate injury.

**CAUTION** when used without the alert symbol, indicates a situation that could result in damage to the engine or generator.

## SAFETY INFORMATION

For any questions regarding the hazard and safety notices listed in this manual or on the product, please call (800) 232-1195 M-F 8-5 CST before using the generator.



### **DANGER: CARBON MONOXIDE**

Using a generator indoors **CAN KILL YOU IN MINUTES**. Generator exhaust contains carbon monoxide (CO). This is a poison gas you cannot see or smell. If you can smell the generator exhaust, you are breathing CO. But even if you cannot smell the exhaust, you could be breathing CO.

**NEVER** use a generator inside homes, garages, crawl spaces, or other partially enclosed areas. Deadly levels of carbon monoxide can build up in these areas. Using a fan or opening windows and doors does **NOT** supply enough fresh air. **ONLY** use a generator outside and far away from windows, doors, and vents. These openings can pull in generator exhaust.

Even if you use a generator correctly, CO may leak into the home. **ALWAYS** use a battery-powered or battery-backup CO alarm in the home. If you start to feel sick, dizzy, or weak after the generator has been running, move to fresh air **RIGHT AWAY**. See a doctor. You may have carbon monoxide poisoning.



**WARNING:** The exhaust from this product contains chemicals known to the State of California to cause cancer, birth defects, or other reproductive harm.



**WARNING:** This generator may emit highly flammable and explosive gasoline vapors, which can cause severe burns or even death if ignited. A nearby open flame can lead to explosion even if it isn't directly in contact with gasoline.

### **GENERATOR SAFETY RULES:**

- 1) Do not operate near open flame.
- 2) Do not smoke near generator.
- 3) Always operate on a firm, level surface.
- 4) Always turn generator off before refueling. Allow generator to cool for at least 2 minutes before removing fuel cap. Loosen cap slowly to relieve pressure in tank.
- 5) Do not overfill fuel tank. Gasoline may expand during operation. Do not fill to the top of the tank. Allow for expansion.
- 6) Always check for spilled fuel before operating.
- 7) Empty fuel tank before storing or transporting the generator.
- 8) Do not use in rainy conditions.
- 9) **ALWAYS** ground the generator before using it (see the "Ground the Generator" portion of the "Generator Preparation" section).
- 10) Generator should only be plugged into electrical devices, either directly or with an extension cord. **NEVER** connect to a building's electrical system without a qualified electrician. Such connections must comply with local electrical laws and codes. Failure to comply can create a back-feed, which may result in serious injury or death to utility workers.
- 11) Use a ground fault circuit interrupter (GFCI) in highly conductive areas such as metal decking or steel work. GFCIs are available in-line with some extension cords.
- 12) Do not touch bare wires or receptacles (outlets).
- 13) Do not allow children or non-qualified persons to operate the generator.

## SAFETY INFORMATION

### GENERATOR SAFETY RULES (CONTINUED):

- 14) Do not touch hot surfaces. Pay attention to warning labels on the generator identifying hot parts of the machine.
- 15) Allow generator to cool down after use before touching engine or areas of the generator that become hot during use.
- 16) Only use generator for its intended purposes.
- 17) Operate only on dry, level surfaces.
- 18) Allow generator to run for several minutes before connecting electrical devices.
- 19) Shut off and disconnect any malfunctioning devices from generator.
- 20) Do not exceed the wattage capacity of the generator by plugging in more electrical devices than the unit can handle.
- 21) Do not turn on electrical devices until after they are connected to the generator.
- 22) Turn off and then unplug all connected electrical devices before stopping the generator.
- 23) Turn the engine switch to "OFF" position when the engine is not running.

**CAUTION:** Misuse of this generator can damage it or shorten its life and void the warranty.



**WARNING:** This generator produces heat when running. Temperatures near exhaust can exceed 150° F (65° C).

**SAVE THESE INSTRUCTIONS** - This manual contains important instructions for the WEN generator that should be followed during installation and maintenance of the generator.

Generators vibrate in normal use. During and after the use of the generator, inspect both the generator as well as extension and power supply cords for damage resulting from vibration. Have damaged items repaired or replaced as necessary. Do not use plugs or cords that show signs of damage such as broken or cracked insulation.

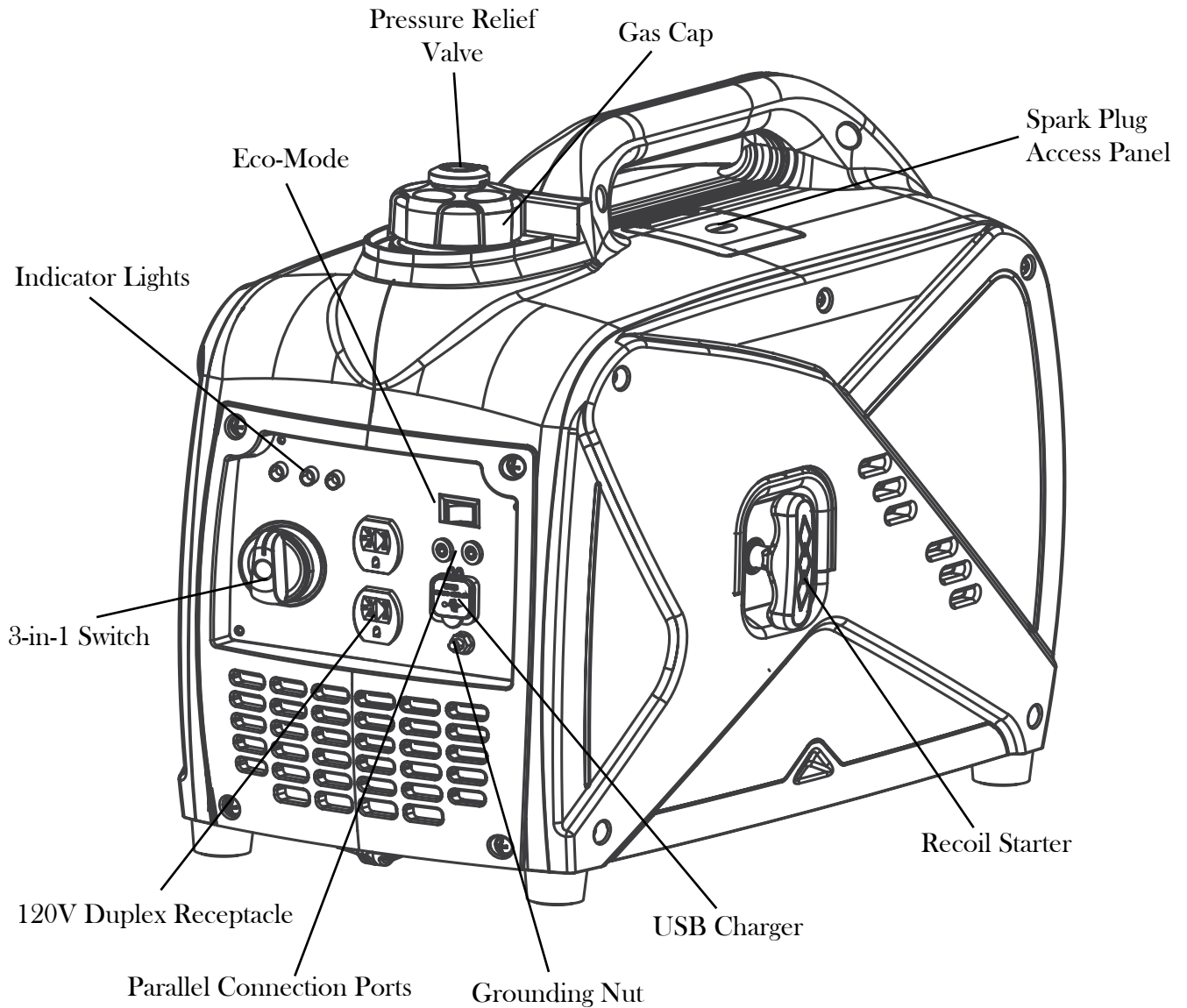
For power outages, permanently installed stationary generators are better suited for providing backup power to the home. Even a properly connected portable generator can become overloaded. This may result in overheating or stressing of the components, possibly leading to a generator failure.



**WARNING:** If this generator is used as a supply for a building's wiring system, the generator must be installed by a qualified electrician and connected to a transfer switch as a separately derived system in accordance with the National Electrical Code, NFPA 70. The generator shall be connected to a transfer switch that switches all conductors excluding the equipment grounding conductor. The frame of the generator shall be connected to an approved grounding electrode.

# GENERATOR COMPONENTS

Use the illustrations below to become familiar with the locations and functions of the various components and controls of this generator.



# GENERATOR PREPARATION

## USING THE GENERATOR FOR THE FIRST TIME

**CAUTION:** The following section describes the necessary steps to prepare the generator for use. If after reading this section, you are unsure about how to perform any of the steps please call (800) 232-1195 M-F 8-5 CST for customer service. Failure to perform these steps properly can damage the generator or shorten its life.

### STEP 1 - ADD OIL

The generator is shipped without oil. User must add the proper amount of oil before operating the generator for the first time. The max oil capacity of the engine crankcase is 0.27 quarts (310 mL). For general use (above 40° F), we recommend SAE 30 or 10W-30 (30W oil), 4-stroke engine oil.

#### To add oil, follow these steps:

**Note:** make sure the generator is on a level surface. Tilting the generator to assist in filling will cause oil to flow into the engine areas and will cause damage. Keep the generator level!

A funnel is recommended for easy installation.

1. Remove the panel on the lefthand side of the generator by removing the five screws along the outside edge of the panel.
2. Remove the oil plug from the engine (Fig. 2).
3. Add oil slowly, being careful not to overfill the unit. Continue adding oil until the oil mark reaches the second thread from the lip of the oil fill opening (Fig. 2 - Upper Fill Line). Do not overfill the crankcase. The generator is equipped with a low-oil sensor and will not start without a sufficient amount of oil.
4. Check for oil leaks before firmly tightening the oil plug. Replace the side panel and screws upon completion.

### ENGINE OIL RECOMMENDATIONS

Select good quality detergent oil bearing the American Petroleum Institute (API) service classifications SJ, SL, or SM (synthetic oils may be used). Use the ASE viscosity grade of oil from the following chart (Fig. 1) that matches the starting temperature anticipated before the next oil changes.

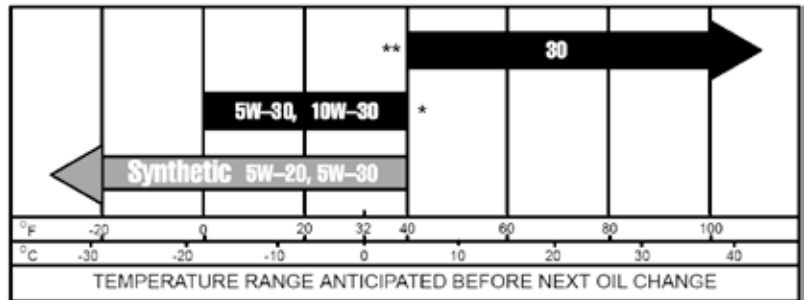


Fig. 1 - Engine Oil Temperature Recommendation

**CAUTION:** Air cooled engines run hotter than automotive engines. The use of non-synthetic multi-viscosity oils (5W-30, 10W-30, etc.) in temperatures above 40° F will result in higher than normal oil consumption. When using a multi-viscosity oil, check the oil level more frequently than you would otherwise.

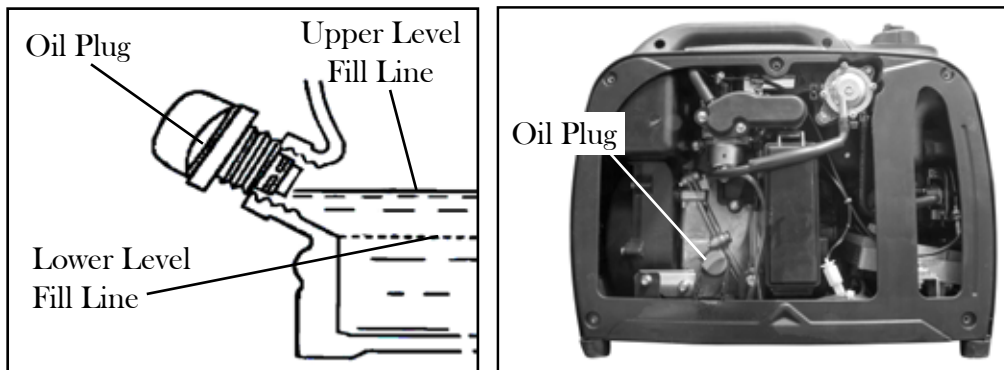


Fig. 2 - Oil Fill Opening, Oil plug and Oil Level



# GENERATOR PREPARATION



**WARNING:** This generator may emit highly flammable and explosive gasoline vapors, which can cause severe burns or even death if ignited. A nearby open flame can lead to explosion even if not directly in contact with gasoline.

## Step 2 - ADD GASOLINE

Use fresh (within 30 days from purchase), lead-free gasoline with a minimum of 87 octane rating. Do not mix oil with gasoline. Adding a fuel stabilizer will help prolong the storage life of the gasoline.

### To add gasoline, follow these steps:

1. Make sure the generator is on a level surface.
2. Unscrew gas cap and set aside.

NOTE: The fuel cap may be tight and hard to unscrew. Unscrew the cap slowly to allow any built up pressure to bleed out.

3. Slowly add unleaded gasoline to the fuel tank. Be careful not to overfill. The capacity of the fuel tank is .69 gallons (2.6 L).

NOTE: Do not fill the fuel tank to the very top. Gasoline will expand and spill over during use even with the fuel cap in place.

4. Reinstall fuel cap and wipe clean any spilled gasoline with a dry cloth.

## STEP 3 - GROUND THE GENERATOR

Ground the generator by tightening the grounding nut on the front control panel against a grounding wire (Fig. 3). A generally acceptable grounding wire is a No. 12 AWG (American Wire Gauge) stranded copper wire. This grounding wire should be connected at the other end to a copper, brass, or steel-grounding rod that is driven into the earth. Wire and grounding rods are not included with the generator.

Grounding codes can vary by location. Contact a local electrician to check the area codes.

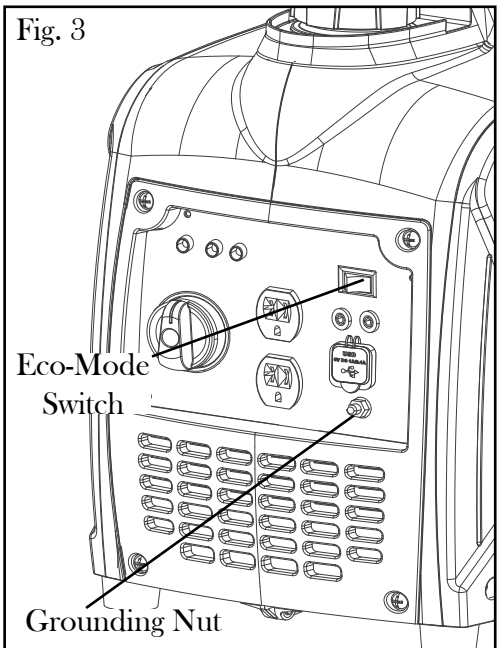
**NOTE: After completing the above preparation, the generator is ready to be started.**



**WARNING:** Failure to properly ground the generator increases your risk of electric shock.

### IMPORTANT:

- Never use an oil/gasoline mixture.
- Never use old gasoline.
- Avoid getting dirt or water into the fuel tank.
- Gasoline can age in the tank and make starting difficult. Never store generator for extended periods of time with fuel in the tank.



## STARTING THE GENERATOR

Before starting the generator, make sure you have read and performed the steps in the “Generator Preparation” section of this manual. If you are unsure about how to perform any of the steps in this manual please call (800) 232-1195 M-F 8-5 CST for customer service.



**DANGER: CARBON MONOXIDE - USING A GENERATOR INDOORS CAN KILL YOU IN MINUTES.**

Using a generator indoors **CAN KILL YOU IN MINUTES**. Generator exhaust contains carbon monoxide (CO). This is a poison gas you cannot see or smell. If you can smell the generator exhaust, you are breathing CO. But even if you cannot smell the exhaust, you could be breathing CO.

**NEVER** use a generator inside homes, garages, crawl spaces, or other partially enclosed areas. Deadly levels of carbon monoxide can build up in these areas. Using a fan or opening windows and doors does **NOT** supply enough fresh air. **ONLY** use a generator outside and far away from windows, doors, and vents. These openings can pull in generator exhaust.

Even if you use a generator correctly, CO may leak into the home. **ALWAYS** use a battery-powered or battery-backup CO alarm in the home. If you start to feel sick, dizzy, or weak after the generator has been running, move to fresh air **RIGHT AWAY**. See a doctor. You may have carbon monoxide poisoning.



**WARNING:** The exhaust from this product contains chemicals known to the State of California to cause cancer, birth defects, or other reproductive harm.



**WARNING:** This generator may emit highly flammable and explosive gasoline vapors, which can cause severe burns or even death if ignited. A nearby open flame can lead to explosion even if it isn't directly in contact with gasoline.



**WARNING:** This generator produces powerful voltage, which can result in electrocution.

**ALWAYS** ground the generator before using it (see the “Ground the Generator” portion of the “Generator Preparation” section).

Generator should only be plugged into electrical devices, either directly or with an extension cord. **NEVER** connect to a building electrical system without a qualified electrician. Such connections must comply with local electrical laws and codes. Failure to comply can create a back-feed, which may result in serious injury or death to utility workers.

Use a ground fault circuit interrupter (GFCI) in highly conductive areas such as metal decking or steel work. GFCIs are available in-line with some extension cords.

Do not use in rainy or wet conditions. Do not touch bare wires or receptacles (outlets). Do not allow children or non-qualified persons to operate.

**CAUTION:** Disconnect all electrical loads from the generator before attempting to start.

# STARTING THE GENERATOR



Fig. 4A

## STARTING THE ENGINE (FIG. 4)

To start the generator, perform the following steps:

1. Unplug all electrical devices from the generator before starting. Otherwise it can be difficult to start the engine.
2. To maximize safety, make sure the generator is properly grounded (Refer to “Ground the Generator” on page 9).
3. Check the oil and fuel levels.
4. Turn the ECO-MODE switch to “OFF” (Fig. 3).
5. Open pressure relief valve on top of fuel cap (Figure 4A). Rotate clockwise to the “ON” position.
6. Turn the 3-in-1 switch to the “CHOKE” position (Figure 4B).
7. Pull on the recoil starter handle slowly until a slight resistance is felt, then pull quickly to start the engine. Return cord gently into the recoil starter. Never allow the cord to snap back.
8. Once the engine has started, slowly turn the 3-in-1 switch to the “ON” position (Figure 4C).
9. To turn the generator off, turn the knob to the OFF position (Figure 4E).



Fig. 4B



Fig. 4C



Fig. 4D

Allow the generator to run for several minutes before attempting to connect any electrical devices. This allows the generator to stabilize its speed and temperature.

**NOTE:** Turn the knob to the Fuel Shut-off Position (Figure 4D) in order to stop the flow of fuel from the gas tank to the engine.



Fig. 4E

## ECO-MODE IDLE SWITCH (Fig. 3)

This generator is equipped with an Eco-Mode Idle Control Switch. Engaging the switch automatically adjusts the engine to match the load. When the electrical load changes, the generator engine will automatically speed up and slow down as needed. This reduces fuel consumption and noise levels. Keep this switch engaged when the power load requirement is less than 500W. Do not engage the Idle Control Switch when the total load is more than 500W. The generator engine must run at full speed to supply power for anything over 500W.

# STOPPING THE GENERATOR

---

## TO STOP THE GENERATOR

1. Turn off all electrical devices prior to unplugging them from the generator. Unplugging running devices can cause damage to the generator. After turning the devices off, unplug them all from the generator.
2. Turn the 3-in-1 knob to the “OFF” position (Fig. 4E).
3. Close the pressure relief valve on top of gas cap (Fig. 4A). Rotate counterclockwise to the “OFF” position.



**WARNING:** Allow the generator to cool for several minutes before touching areas that become hot during use.

**CAUTION:** Allowing gasoline to sit in the fuel tank for long periods of time can make it difficult to start the generator in the future. Never store the generator for extended periods of time with fuel in the fuel tank. Refer to Generator Storage Section.

## SUBSEQUENT STARTING OF THE GENERATOR

---

If this is not the first time using the generator, the user should take the following steps to prepare it for operation.

**IMPORTANT:** At this point the user should be familiar with the procedures described in the sections titled “Starting the Generator” and “Generator Preparation.” If the user has not yet read these sections, go back and read them now.

### Step 1 - CHECK THE OIL

Oil consumption is normal during generator use. The generator is equipped with a low oil pressure shutoff to protect it from damage. The oil level of the engine should be checked before each use to ensure that the engine crankcase contains sufficient lubricant.

To check or add oil, follow these steps:

1. Make sure the generator is on a level surface. Access the oil plug by removing the lefthand side panel using a Phillip’s head screwdriver.
2. Remove the oil plug and check the oil level.
3. If oil level is below the second thread from the lip of the oil fill opening, slowly add oil until the engine crankcase is filled. Use a funnel for maximum efficiency.
4. Reinstall and tighten oil cap and side panel before starting the engine.

### IMPORTANT:

- Use only UNLEADED gasoline.
- Do not use old gasoline.
- Never use an oil/gasoline mixture.
- Avoid getting dirt or water into the fuel tank.

### Step 2 - CHECK THE FUEL LEVEL

Before starting the generator, check to see that there is sufficient gasoline in the fuel tank. Add additional gasoline as necessary but leave sufficient room in the tank for expansion.

## SUBSEQUENT STARTING OF THE GENERATOR

---

### Step 3 - GROUND THE GENERATOR



**WARNING:** Failure to properly ground the generator increases the chances of electric shock.

Ground the generator by tightening the grounding nut on the front control panel against a grounding wire (Fig. 3). A generally acceptable grounding wire is a No. 12 AWG (American Wire Gauge) stranded copper wire. This grounding wire should be connected at the other end to a copper, brass, or steel-grounding rod that is driven into the earth. Wire and grounding rod are not included in generator contents. Grounding codes can vary by location. Contact a local electrician for area codes.

## USING THE GENERATOR

---

Before connecting electrical devices, allow the generator to run for a few minutes to stabilize the speed and voltage output.

**CAUTION:** Become familiar with the markings on the panel before connecting electrical devices.

Connect electrical devices running on AC current according to their wattage requirements. The chart in Figure 5 shows the rated and surge wattage of the generator.

The rated (running) wattage is the wattage the generator can produce on a continuous basis.

The surge wattage is the maximum amount of power the generator can produce for an extremely short period of time (seconds). Many electrical devices such as refrigerators require short bursts of extra power in addition to the rated wattage listed by the device to start their motors. The surge wattage ability of the generator covers this extra power requirement.

Item	Rated (Running) Wattage	Surge Wattage
56125i	1000	1250

Fig. 5 - Generator Wattage

The total running wattage requirement of the electrical devices connected to the generator should not exceed the rated wattage of the generator itself. To calculate the total wattage requirement of the electrical devices you plan to connect, find the rated (or running) wattage of each device. This number should be listed somewhere on the device or in its instruction manual. If this wattage cannot be found, calculate it by multiplying the Voltage requirement by the Amperage drawn:

$$\text{Watts} = \text{Volts} \times \text{Amperes}$$

## USING THE GENERATOR

If the electrical specifications are not available for your electronic devices, estimate the watts requirement of the device by using the chart in Figure 6.

When the rated wattage requirement of each electrical device has been determined, add these numbers to find the total rated wattage needed. If this number exceeds the rated wattage of the generator, **DO NOT** connect all these devices. Select a combination of electrical devices, which have a total rated wattage lower than or equal to the rated wattage of the generator.

**CAUTION:** The generator can run at its surge wattage capacity for only a short time. Connect electrical devices requiring a rated (running) wattage equal to or less than the rated wattage of the generator. Never connect devices requiring a rated wattage equal to the surge wattage of the generator.

<b>Tool or Appliance</b>	<b>Rated (Running) Watts</b>	<b>ADDITIONAL SURGE WATTS</b>
Microwave	1000	0
Well water pump	1000	1000
Saw - reciprocating	960	1040
Sump pump	800	1200
Refrigerator freezer	800	1200
Computer	800	0
Electric drill	600	900
Television	500	0
Deep freezer	500	500
Garage door opener	480	0
Stereo	400	0
Box fan	300	600
Clock radio	300	0
Security system	180	0
DVD player / VCR	100	0
Common light bulb	75	0

Fig. 6 - Estimated wattage requirements of common electrical devices

Note: The above wattage figures are estimates. Check the wattage listed on the electrical device before consulting this chart. Once the electrical devices have been chosen, connect them according to the following procedure:

1. Plug in each electrical device, making sure that the device is turned off.
2. Check the overload and output lights. If the overload light is on, unplug the electronics, then restart the generator before plugging the load back in. If the overload light continues to illuminate, reduce the load before continuing. Wait several minutes and try again. If the power light still does not come on, call the customer service number for further instructions.

## USING THE GENERATOR

---

**CAUTION:** Do not connect 50Hz loads to the generator.

### SOME NOTES ABOUT POWER CORDS

Long or thin cords can drain the power provided to an electrical device by the generator. When using such cords, allow for a slightly higher rated wattage requirement by the electrical device. See Figure 7 for recommended cords based on the power requirement of the electrical device.

Device Requirements		Max. Cord Length (ft) by Wire Gauge				
Amps	Watts (120V)	#8 wire	#10 wire	#12 wire	#14 wire	#16 wire
2.5	300	NR	NR	NR	375	250
5	600	NR	NR	300	200	125
7.5	900	NR	350	200	125	100
10	1200	NR	250	150	100	50

\*NR = Not Recommended

Fig. 7 - Maximum Extension Cord Lengths by Power Requirement

If an overload occurs, shut down the generator. Unplug all electrical devices and wait five minutes. Then, start the unit back up again to get power back.

## MAINTENANCE & CARE

---

Proper routine maintenance of the generator will help prolong the life of the machine. Please perform maintenance checks and operations according to the schedule in Figure 8.

If there are any questions about the maintenance procedures listed in this manual, please call (800) 232-1195 M-F 8-5 CST.

**CAUTION:** Never perform maintenance operations while the generator is running.

Recommended Maintenance Schedule (whichever sooner)		Each 8 hours or daily	Every 25 hours	Every 3 months or 50 hours	Every 6 months or 100 hours	Every year	As necessary
Engine oil	Check level	x					
	Replace		x*	x*			x
Air cleaner cartridge	Check		x		x		
	Clean				x		
Spark plug	Check/re-gap/clean				x		
	Change					x	x
Fuel tank	Check level	x					
	Clean					x	
Carburetor	Drain	x					

Fig. 8 - Recommended maintenance schedule

\* Clean/change more often under dusty conditions or operating under heavy load.

## MAINTENANCE & CARE

### CLEANING THE GENERATOR

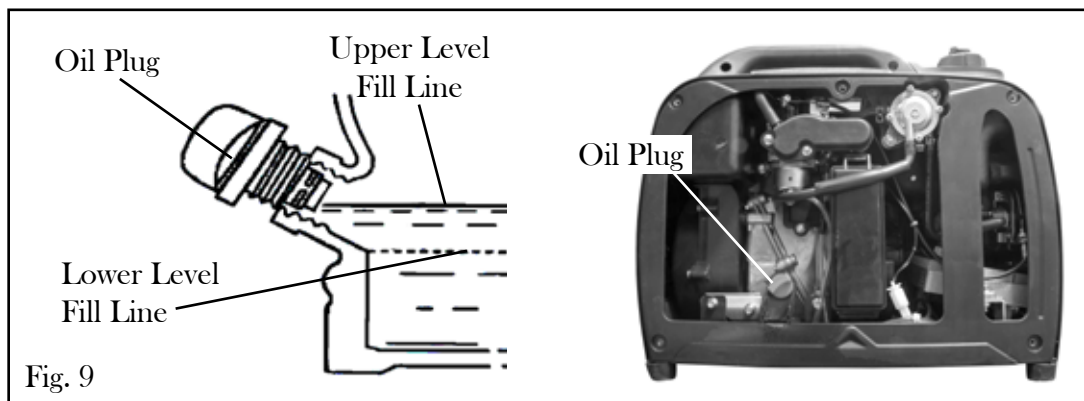
Never clean the generator when it is running! Never clean with a bucket of water or a hose. Water can get inside the working parts of the generator and cause corrosion or a short circuit.

Always try to use the generator in a cool, dry place. If the generator becomes dirty, clean the exterior with a damp cloth, a soft brush, a vacuum or pressurized air.

### CHECKING THE OIL

Check the oil level of the generator according to the Recommended Maintenance Schedule in Fig. 9. The generator is equipped with an automatic shutoff to protect it from running on low oil. The generator should be checked before each use for proper oil level. This is a critical step for proper engine starting. To check the oil level:

1. Make sure the generator is on a level surface. Access the oil plug by removing the lefthand side panel using a Phillip's head screwdriver.
2. Remove the oil plug and check the oil level.
3. Slowly add oil until the oil level is just below the second thread down from the lip of the oil fill opening. Use a funnel for maximum efficiency.
4. Reinstall and tighten oil cap and side panel before starting the engine.



### CHANGING/ADDING OIL

Change the oil according to the Recommended Maintenance Schedule in Figure 9 by removing the side panel of the generator opposite of the recoil starter. Change the oil when the engine is warm. This will allow for complete drainage. Change oil more often if operating under heavy load or high ambient temperatures. It is also necessary to drain the oil from the crankcase if it has become contaminated with water or dirt. The oil capacity of the generator engine is .27 quarts (310 mL). Add oil when the oil level is low. For proper type and weight of oil refer to "add oil" portion of the "Generator Preparation" section (page 8).

1. Place generator on elevated platform such as table or desk. Put a container next to it to hold the used oil. Turn the pressure relief valve to "OFF" position.
2. Remove the left side panel by removing the five screws found around its outside edge. Then, unscrew the oil plug from the engine and set aside.



## MAINTENANCE & CARE

---

3. Tilt the generator so the used oil flows from the engine into the container. Tilt some more to ensure all oil is out of the crankcase.
4. Return the generator to its upright and level position. Fill the crankcase with fresh oil and reinstall the oil plug. Clean any oil spillage before closing the side panel.

### **TO REFILL THE CRANKCASE WITH OIL:**

1. Make sure the generator is on a level surface. Tilting the generator to assist in filling will cause oil to flow into engine areas and will cause damage. **Keep generator level!**
2. Remove the left side panel and then remove the oil plug from the engine.
3. Using a funnel or appropriate dispenser, add the correct amount of oil into the crankcase. The engine is equipped with a low oil pressure sensor and will not start if the amount of oil is insufficient.
4. Reinstall oil plug and the left side panel.

**NOTE:** Never dispose of used motor oil in the trash or down a drain. Please call a local recycling center or auto garage to arrange oil disposal.

### **AIR CLEANER MAINTENANCE**

Routine maintenance of the air cleaner helps maintain proper airflow to the carburetor. Occasionally check that the air cleaner is free of excessive dirt. Refer to Recommended Maintenance Schedule in Figure 8.

1. Remove the left side panel by unscrewing the five screws around the outside edge.
2. Take the cover off of the air cleaner assembly by releasing the snap-fit tab at the top of the compartment in order access the foam air cleaner inside (Fig. 10).
3. Check and clean the foam air cleaner element. Replace with a new one if the element is damaged. Good elements can be washed in soapy water, dried and reused. There is no need to add oil to the element. Wipe off excessive oil from the air cleaner case. Small amount of oil in the element is normal and necessary for the engine to work properly.
4. Reinstall the air cleaner element, cartridge and side panel.



Fig. 10

## MAINTENANCE & CARE

### SPARK PLUG MAINTENANCE (Fig. 11)

The spark plug is important for proper engine operation. A good spark plug should be intact, free of deposits, and properly gapped. Refer to Recommended Maintenance in Figure 8 (p. 15). To inspect the spark plug:

1. Open the spark plug access panel at the top of the generator using the aid of a coin.
2. Remove spark plug boot. Be careful not to tear insulation or wire.
3. Unscrew the spark plug from the engine using the spark plug wrench provided. There is limited space for the wrench to turn. Use both rows of holes in the spark plug wrench to gain leverage to loosen the plug.
4. Visually inspect the spark plug for cracks or excessive electrode wear. Replace as necessary.
5. Measure the plug gap with a wire gauge. The gap should be 0.6-0.7 mm (0.024-0.028 in).
6. If re-using the spark plug, use a wire brush to clean any dirt from around the spark plug base then re-gap the spark plug.
7. Screw the spark plug back into the spark plug hole using the spark plug wrench. Do not over-tighten spark plug. Recommended tightening of spark plug is  $\frac{1}{2}$  to  $\frac{3}{4}$  of a turn after spark plug gasket contacts spark plug hole. Reinstall the spark plug boot and the spark plug access panel lid.

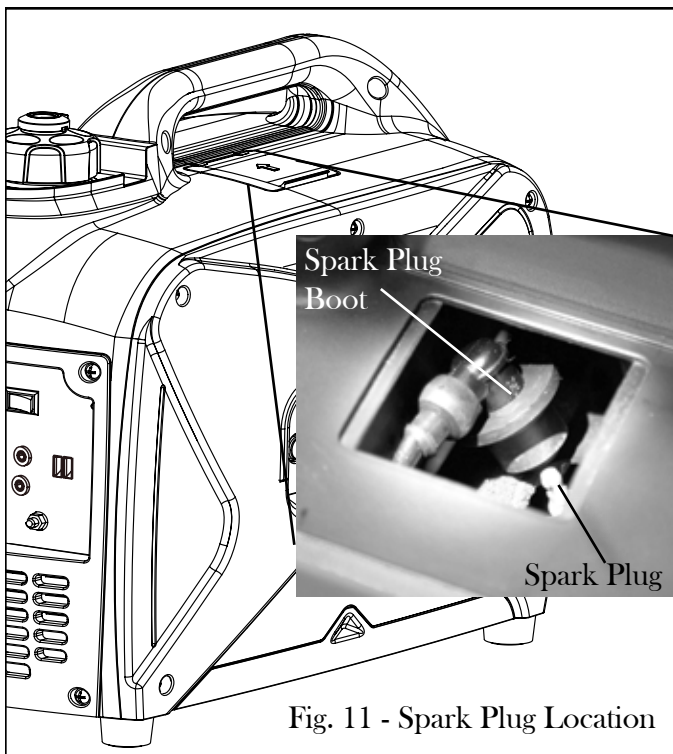


Fig. 11 - Spark Plug Location

### DRAINING THE FUEL TANK

**NOTE: NO OIL CAN BE IN THE UNIT WHEN YOU ARE DRAINING THE FUEL TANK.**

Clean fuel tank each year and before storing the generator for longer than one to two months. To drain the fuel tank and carburetor:

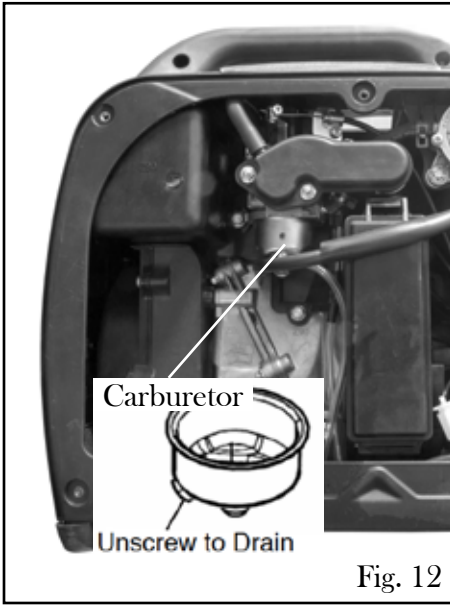
1. Remove the gas cap; carefully turn the generator over to pour the gasoline in the fuel tank to appropriate container.
2. Once fuel is drained, reinstall the fuel cap.
3. Turn on the engine and keep the engine running until it stops. This burns out the fuel in the carburetor and fuel tank.
4. Store the emptied gasoline in a suitable place.

**CAUTION:** Do not store fuel for more than two months.

**NOTE: WE SUGGEST RUNNING YOUR GENERATOR AT LEAST ONCE A MONTH IN ORDER TO MAXIMIZE THE LIFESPAN OF THE GENERATOR.**

## MAINTENANCE & CARE

---



### **DRAINING THE CARBURETOR**

After each use, open up the carburetor drain with a screwdriver and drain out any gasoline that has built up inside. Once the fuel has drained, close the drain back up with the same screwdriver. It is best to do this after every use and required before storing the generator for long periods of time. The location of the carburetor can be found in Fig. 12.

## SPECIFICATIONS

---

### **DC Output**

USB Charger	5V, 1A (left) / 5V, 2.1A (right)
-------------	----------------------------------

### **AC Output**

Rated Wattage	1000 Watts
Surge Wattage	1250 Watts
Rated Voltage	120V
Rated Amperage	8.3A
Frequency	60 Hz
Phase	Single

### **Engine**

Engine type	4 stroke, OHV, single cylinder with forced air cooling system
Spark plug gap	0.6 - 0.8 mm (0.024 - 0.031 in)
Spark plug torque	1/2 - 3/4 turn after gasket contacts base or 9.2 ft.lb
Displacement	60cc
Fuel tank capacity	0.69 gallons (2.6 L)
Oil capacity	0.27 quarts (310 mL)
Lubrication system	Splash lubrication
Run time on 50% load	5 hours
Spark plug	A5RTC

# TROUBLESHOOTING

**IMPORTANT:** If trouble persists, please call our customer help line at (800) 232-1195 M-F 8-5 Central Time.

Problem	Cause	Solution
Engine will not start.	Engine switch is in the OFF position	Set the engine switch to the <b>CHOKE</b> position
	Engine is filled with contaminated or old fuel	Change the fuel in the tank and drain the carburetor
	Not enough oil in crankcase	Add or replace oil
	Air cleaner is dirty	Clean the air filter
	Spark plug is broken/dirty	Replace/clean the spark plug
	Generator is not on a level surface	Move the generator to a level surface to prevent low oil shutdown from triggering
	Engine needs maintenance	Get a professional engine tune-up at an authorized small engine repair shop
	Carburetor is air locked	Shut off the gas valve and remove the screw from the bottom of the carburetor to allow it to reset
	Generator was tilted when adding oil, or shipped upside down	Remove spark plugs, turn off engine switch (Fig. 4D), then pull recoil starter four times to remove the oil from the combustion chamber
Engine stops.	Pressure relief valve in OFF position	Turn pressure release valve to the ON position
	Not enough oil in the crankcase	Add or change oil
	Engine is out of fuel	Add fuel
Blue smoke in exhaust	Generator inclined, oil enters combustion chamber	Move generator to a level position
	Too much oil was added to the crankcase	Drain excess oil
Generator runs but does not support all connected electrical devices.	Bad connecting wires/cables	If using an extension cord, try a different one.
	Bad electrical device connected to generator	Try connecting a different device
	Generator is overloaded - overload light is on	Perform these steps: 1) Turn off all electrical devices. 2) Unplug all devices. 3) Shut down the engine. 4) Wait several minutes and start the engine. 5) Try connecting fewer electrical loads to the generator
	Short in one of the connected devices	Try disconnecting any faulty or short-circuited electrical loads

## STORAGE & TRANSPORT

**CAUTION:** Never place any type of storage cover on the generator while it is still hot.

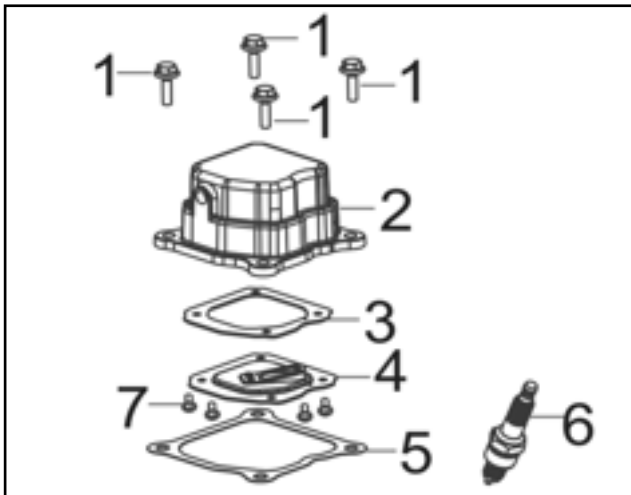
If the generator is being stored for short periods of time (30 to 60 days), add the proper mixture of fuel and fuel stabilizer to the fuel tank until full. **NOTE:** Filling the tank reduces the amount of air in the tank and helps fight deterioration of fuel. Run the engine for 5 minutes, allowing stabilized fuel mixture to circulate through the carburetor and the engine. When storing the generator for extended periods of time:

- Drain the fuel tank (see “Draining the Fuel Tank” in the “Maintenance” section).
- Change oil.
- Do not obstruct any ventilation openings.
- Keep the generator in a cool dry area.

When transporting generator:

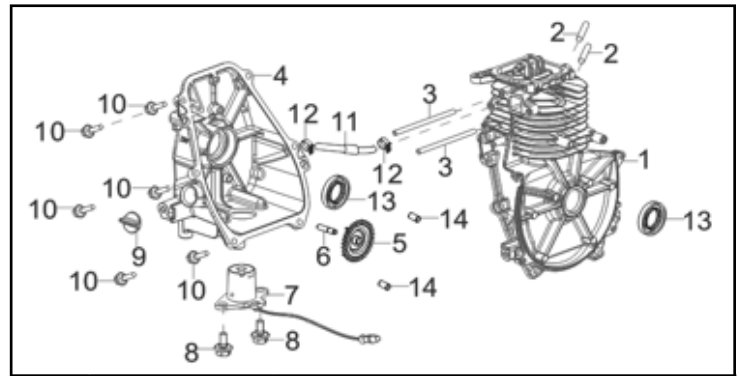
- Drain the fuel tank if possible (see “Draining the Fuel Tank” in the “Maintenance” section).
- Keep the generator upright. Never place the generator side down or oil will leak into the combustion chamber.

# EXPLODED VIEW AND PARTS LIST



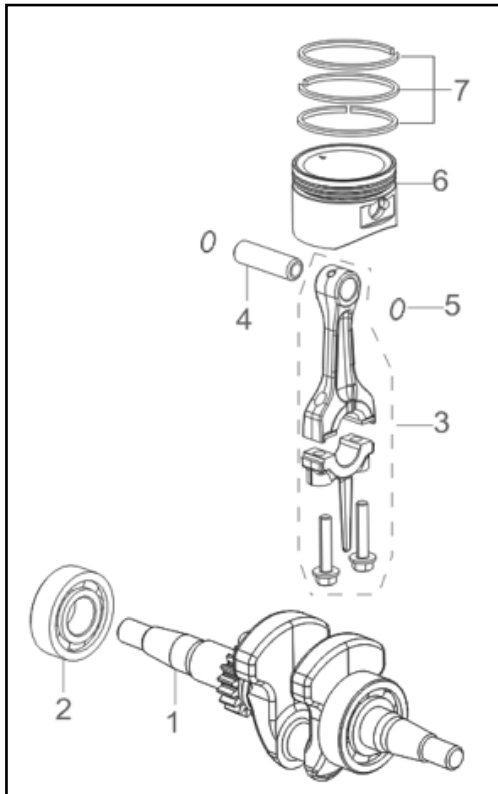
**Fig. 1 - Cylinder**

No.	Part Number	Description	Qty
1-1	56125-0101	Cylinder Head Cover Bolts	4
1-2	56125-0102	Cylinder Head Cover	1
1-3	56125-0103	Breather Gasket	1
1-4	56125-0104	Reed	1
1-5	56125-0105	Head Gasket	1
1-6	56125-0106	Spark Plug	1
1-7	56125-0107	Screw	4



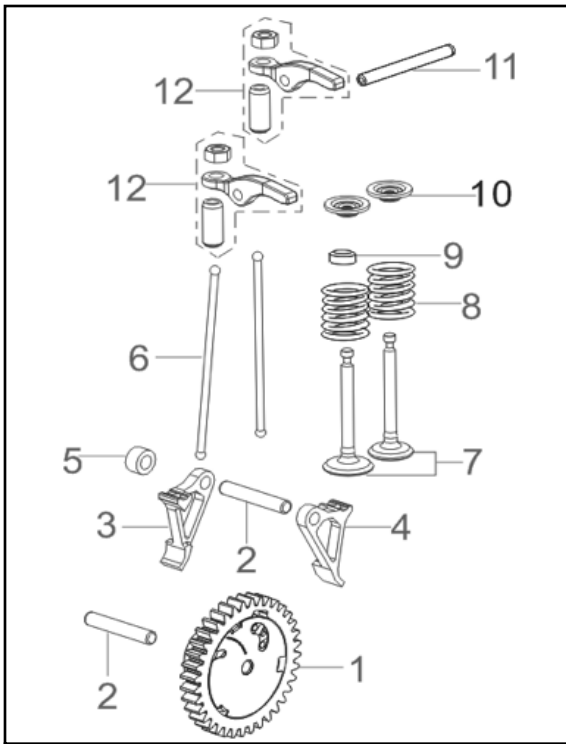
**Fig. 2 - Crankcase**

No.	Part Number	Description	Qty
2-1	56125-0201	Crankcase Subassembly	1
2-2	56125-0202	Stud	2
2-3	56125-0203	Stud	2
2-4	56125-0204	Crankcase Cover	1
2-5	56125-0205	Gear	1
2-6	56125-0206	Gear Shaft	1
2-7	56125-0207	Oil Sensor	1
2-8	56125-0208	Oil Sensor Bolts	2
2-9	56125-0209	Oil Plug	1
2-10	56125-0210	Crankcase Cover Bolts	6
2-11	56125-0211	Line	1
2-12	56125-0212	Clamp	2
2-13	56125-0213	Oil Seal	2
2-14	56125-0214	Pin	2



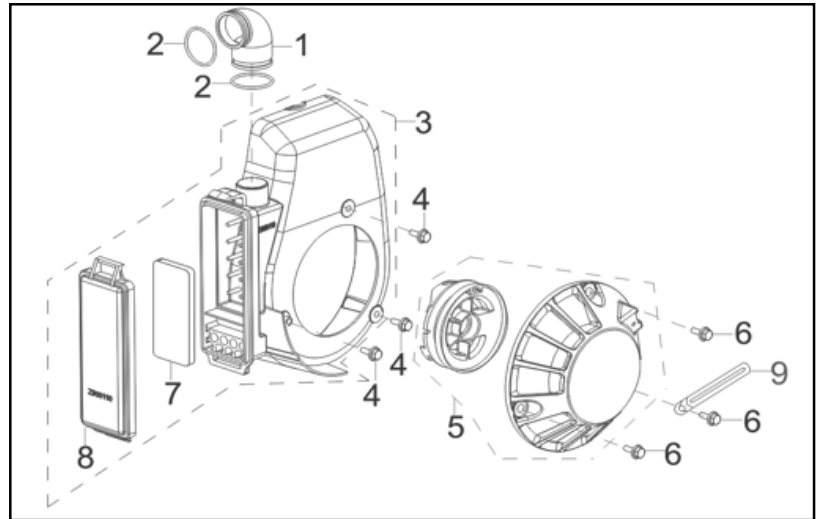
**Fig. 3 - Piston Assembly**

No.	Part Number	Description	Qty
3-1	56125-0301	Crankshaft	1
3-2	56125-0302	Crankshaft Bearing	1
3-3	56125-0303	Connecting Rod	1
3-4	56125-0304	Piston Pin	1
3-5	56125-0305	Piston Pin Clips	2
3-6	56125-0306	Piston	1
3-7	56125-0307	Piston Rings	1



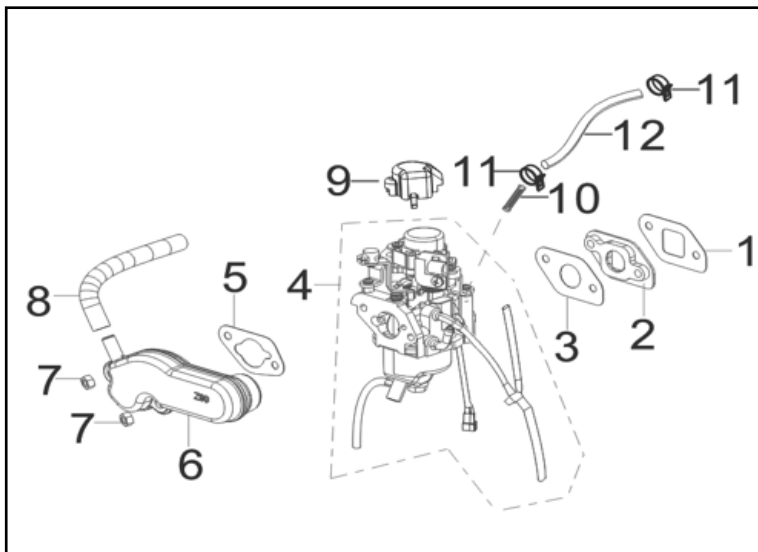
**Fig. 4 - Camshaft**

No.	Part Number	Description	Qty
4-1	56125-0401	Camshaft Gear	1
4-2	56125-0402	Camshaft Rod	2
4-3	56125-0403	Lower Rocker	1
4-4	56125-0404	Lower Rocker	1
4-5	56125-0405	Bushing	1
4-6	56125-0406	Valve Lifter	2
4-7	56125-0407	Valve Set	1
4-8	56125-0408	Valve Spring	2
4-9	56125-0409	Guide Seal	1
4-10	56125-0410	Valve Spring Seat	2
4-11	56125-0411	Shaft Rocker	1
4-12	56125-0412	Valve Rocker Arm	2



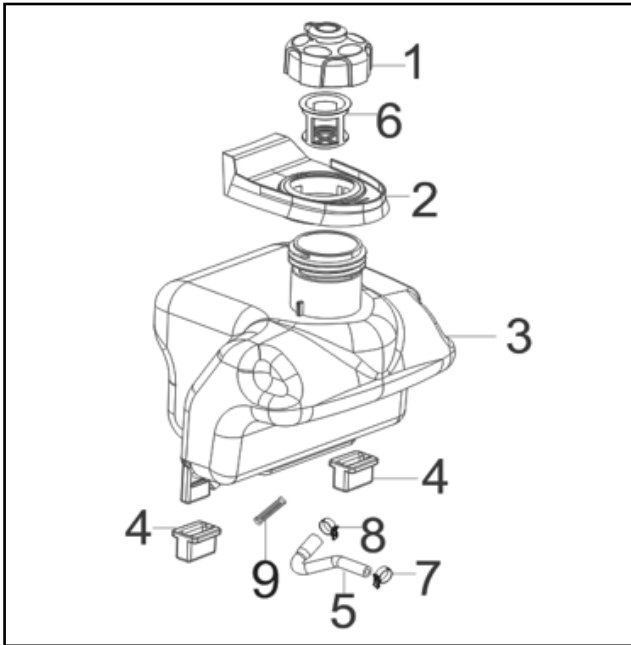
**Fig. 5 - Recoil Starter**

No.	Part Number	Description	Qty
5-1	56125-0501	Intake Tube	1
5-2	56125-0502	Collar	2
5-3	56125-0503	Shroud	1
5-4	56125-0504	Should Mounting Bolts	3
5-5	56125-0505	Recoil Assembly	1
5-6	56125-0506	Recoil Cover Bolts	3
5-7	56125-0507	Air Cleaner Element	1
5-8	56125-0508	Air Cleaner Cover	1
5-9	56125-0509	Clip	1



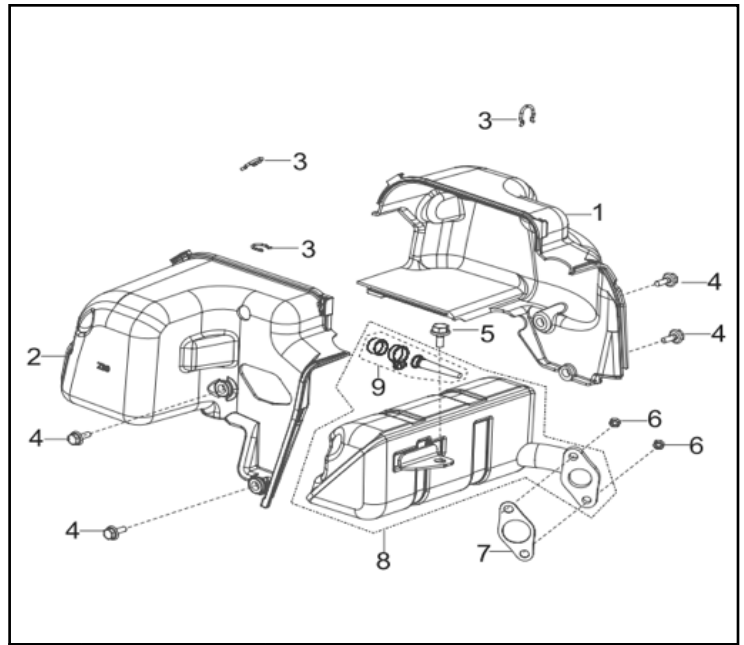
**Fig. 6 - Carburetor**

No.	Part Number	Description	Qty
6-1	56125-0601	Carburetor Gasket	1
6-2	56125-0602	Carburetor Insulator Plate	1
6-3	56125-0603	Carburetor Insulator Gasket	1
6-4	56125-0604	Carburetor Assembly	1
6-5	56125-0605	Air Cleaner Gasket	1
6-6	56125-0606	Air Cleaner Intake Duct	1
6-7	56125-0607	Duct Mounting Nuts	2
6-8	56125-0608	Breather Tube	1
6-9	56125-0609	Cap	1
6-10	56125-0610	Fuel Filter	1
6-11	56125-0611	Clamp	2
6-12	56125-0612	Fuel Tube	1



**Fig. 7 - Fuel Tank**

No.	Part Number	Description	Qty
7-1	56125-0701	Gas Cap	1
7-2	56125-0702	Gas Tank Nozzle Sleeve	1
7-3	56125-0703	Gas Tank	1
7-4	56125-0704	Gas Tank Shock Absorber	2
7-5	56125-0705	Fuel Line	1
7-6	56125-0706	Fuel Filter	1
7-7	56125-0707	Clamp	1
7-8	56125-0708	Clamp	1
7-9	56125-0709	Filter Element	1

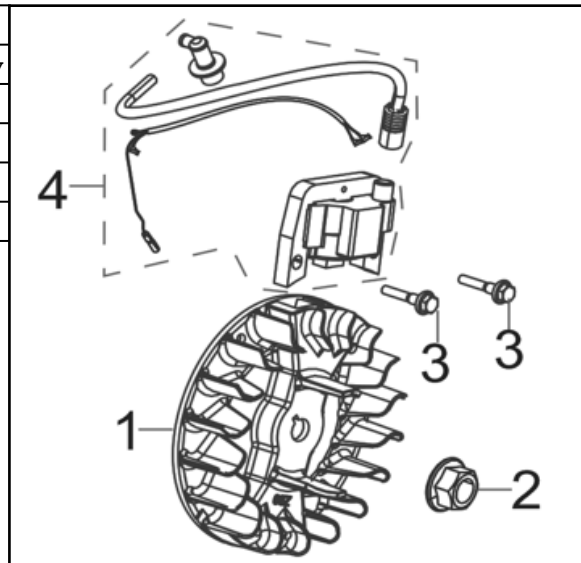


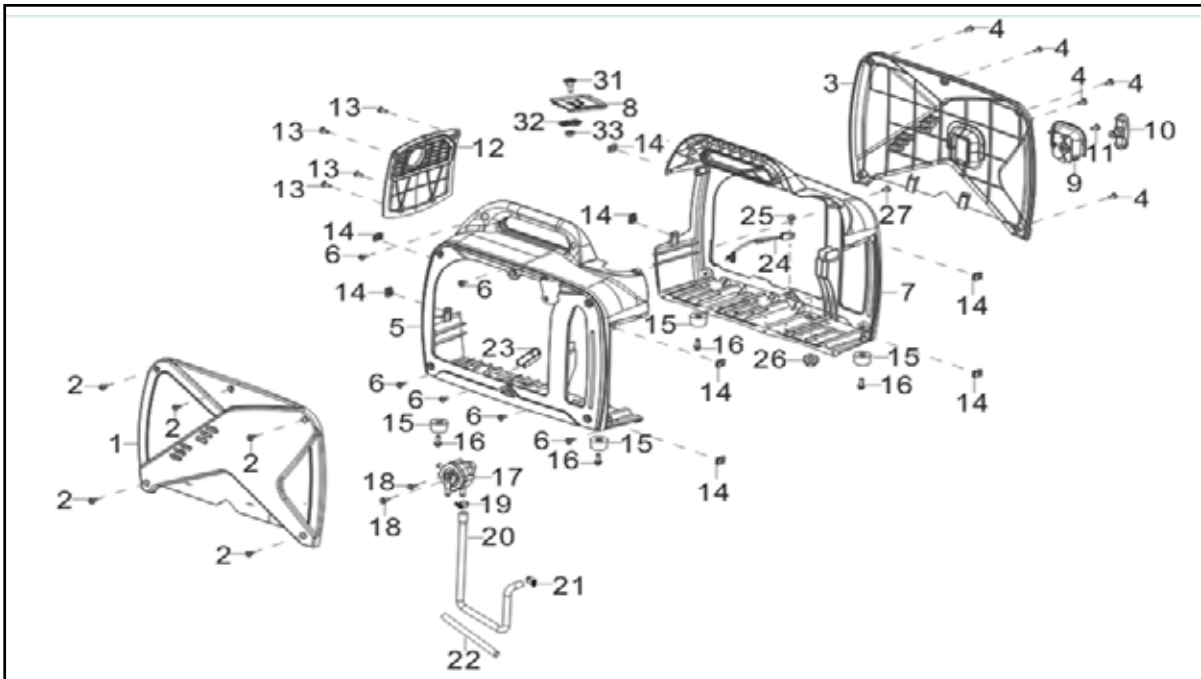
**Fig. 8 - Muffler Assembly**

No.	Part Number	Description	Qty
8-1	56125-0801	Muffler Shroud	1
8-2	56125-0802	Muffler Shroud	1
8-3	56125-0803	Collar	3
8-4	56125-0804	Shroud Bolts	4
8-5	56125-0805	Bolt	1
8-6	56125-0806	Nut	2
8-7	56125-0807	Exhaust Gasket	1
8-8	56125-0808	Muffler Assembly	1
8-9	56125-0809	Spark Arrestor	1

**Fig. 9 - Flywheel**

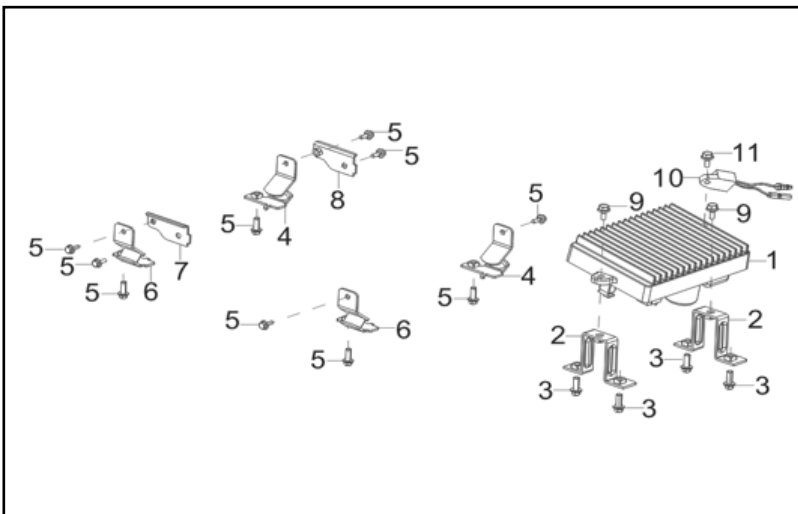
No.	Part Number	Description	Qty
9-1	56125-0901	Flywheel	1
9-2	56125-0902	Flywheel Nut	1
9-3	56125-0903	Ignition Coil Bolts	2
9-4	56125-0904	Ignition Coil	1





**Fig. 10 - Casing**

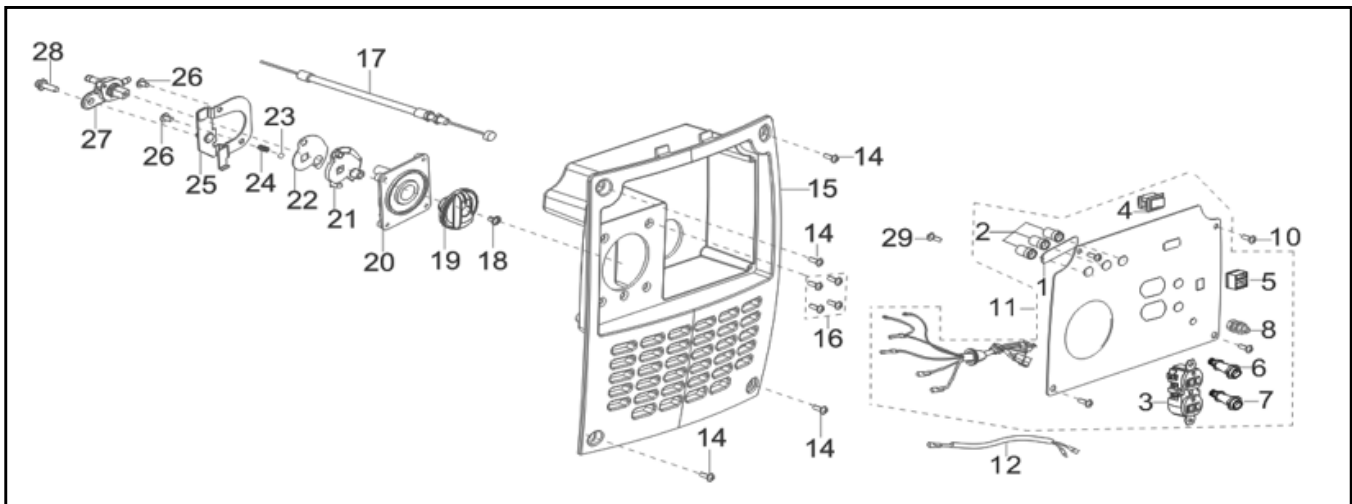
No.	Part Number	Description	Qty	No.	Part Number	Description	Qty
10-1	56125-1001	Left Panel	1	10-16	56125-1016	Bolts for Feet	4
10-2	56125-1002	Panel Screws	5	10-17	56125-1017	Fuel Cock	1
10-3	56125-1003	Right Panel	1	10-18	56125-1018	Fuel Cock Bolt	2
10-4	56125-1004	Panel Screws	5	10-19	56125-1019	Clamp	1
10-5	56125-1005	Left Shell	1	10-20	56125-1020	Fuel Line	1
10-6	56125-1006	Shell Screws	6	10-21	56125-1021	Clamp	1
10-7	56125-1007	Right Shell	1	10-22	56125-1022	Rubber Jacket	1
10-8	56125-1008	Spark Plug Access Panel	1	10-23	56125-1023	Rubber Jacket	1
10-9	56125-1009	Recoil Guide	1	10-24	56125-1024	Voltage Regulator	1
10-10	56125-1010	Recoil Handle	1	10-25	56125-1025	Bolt	1
10-11	56125-1011	Bolt	1	10-26	56125-1026	Nut	1
10-12	56125-1012	Muffler Cover	1	10-27	56125-1027	Screw	1
10-13	56125-1013	Muffler Cover Screws	4	10-31	56124-1031	Bolt	1
10-14	56125-1014	Nut	8	10-32	56124-1032	Lever	1
10-15	56125-1015	Rubber Feet	4	10-33	56124-1033	Nut	1



**Fig. 12 - Inverter Assembly**

No.	Part Number	Description	Qty
12-1	56125-1201	Inverter	1
12-2	56125-1202	Inverter Mounting Bracket	2
12-3	56125-1203	Mounting Bracket Bolts	4
12-4	56125-1204	Right Frame Cushion	2
12-5	56125-1205	Bolt	10
12-6	56125-1206	Left Frame Cushion	2
12-7	56125-1207	Left Cushion Bracket	1
12-8	56125-1208	Right Cushion Bracket	1
12-9	56125-1209	Bolt	2
12-10	56125-1210	Oil Sensor	1
12-11	56125-1211	Bolt	1



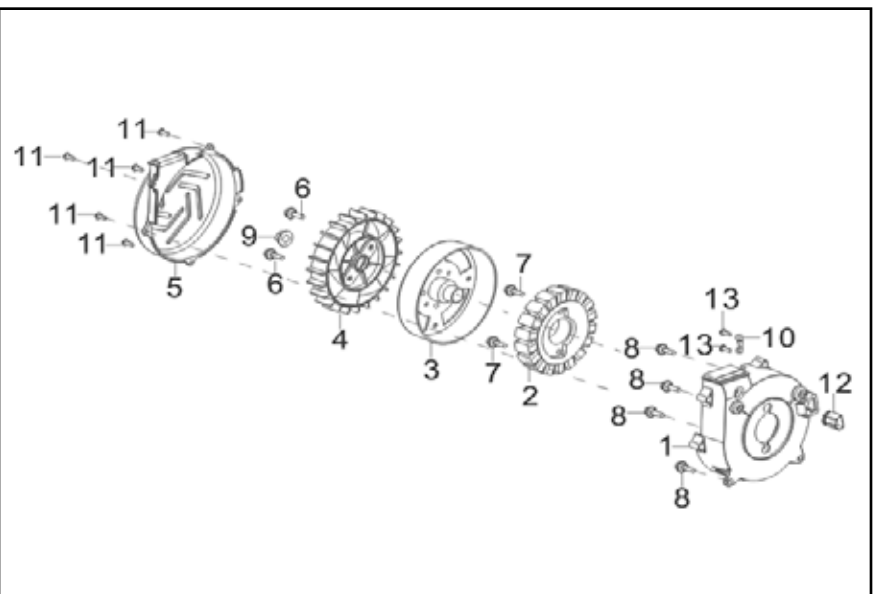


**Fig. 11 - Panel Assembly**

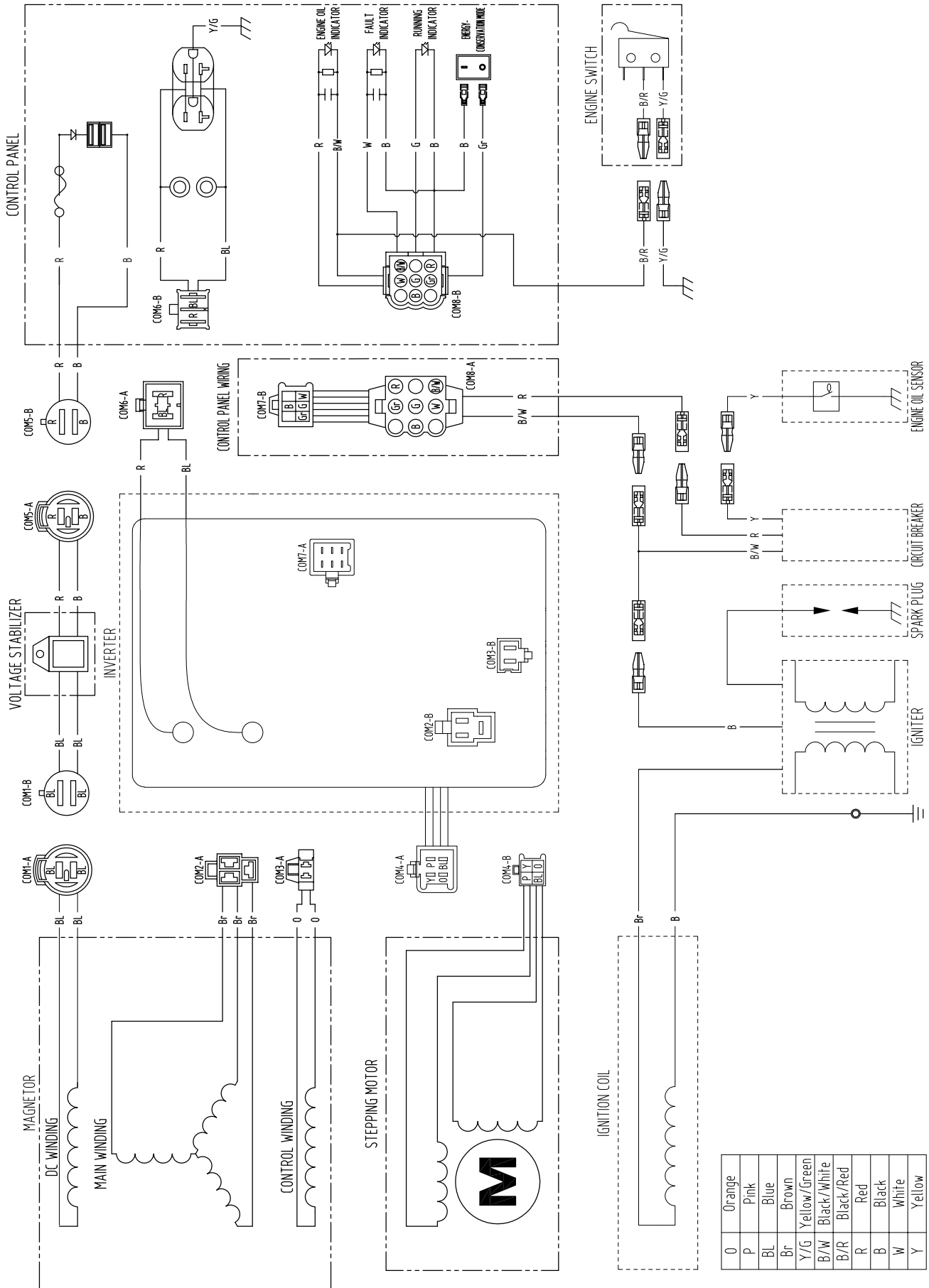
No.	Part Number	Description	Qty	No.	Part Number	Description	Qty
11-1	56125-1101	Status Display	1	11-17	56125-1117	Choke Line	1
11-2	56125-1102	LED Indicators	3	11-18	56125-1118	Screw	1
11-3	56125-1103	120V Socket Receptacles	1	11-19	56125-1119	Choke Knob	1
11-4	56125-1104	Idle Switch	1	11-20	56125-1120	Choke Control	1
11-5	56125-1105	DC Socket Assembly	1	11-21	56125-1121	Choke Lever	1
11-6	56125-1106	Parallel Socket	1	11-22	56125-1122	Choke Block	1
11-7	56125-1107	Parallel Socket	1	11-23	56125-1123	Steel Ball	1
11-8	56125-1108	Grounding Terminal	1	11-24	56125-1124	Choke Spring	1
11-10	56125-1110	Panel Screws	4	11-25	56125-1125	Fuel Cock Bracket	1
11-11	56125-1111	Control Panel Subassembly	1	11-26	56125-1126	Screw	2
11-12	56125-1112	Control Panel Wiring Harness	1	11-27	56125-1127	Fuel Valve	1
11-14	56125-1114	Front Panel Screws	4	11-28	56125-1128	Bolt	1
11-15	56125-1115	Front Panel	1	11-29	56125-1129	Screw	1
11-16	56125-1116	Screw	4				

**Fig. 13 - Rotor**

No.	Part Number	Description	Qty
13-1	56125-1301	Motor Shroud	1
13-2	56125-1302	Stator	1
13-3	56125-1303	Rotor	1
13-4	56125-1304	Impeller	1
13-5	56125-1305	Fan Cover	1
13-6	56125-1306	Fan Bolts	2
13-7	56125-1307	Stator Bolts	2
13-8	56125-1308	Shroud Bolt	4
13-9	56125-1309	Nut	1
13-10	56125-1310	Clamp	1
13-11	56125-1311	Screws	5
13-12	56125-1312	Rubber Cover	1
13-13	56125-1313	Screws	2



# WIRING DIAGRAM



## WARRANTY STATEMENT

---

Remember to save the receipt and to accurately fill out and mail the product registration card. Proof of purchase is required for all warranty work.

WEN® generators are under warranty to be free from defects in materials and workmanship for a period of two (2) years from date of original purchase. Generators used for Commercial or Rental use have a warranty period of 90 days from date of original purchase. Keep purchase receipt and mail in the product registration card for proof of purchase.

WEN® will repair or replace, at its discretion, any part that is proven to be defective in materials or workmanship under normal use during the two (2) years warranty period. Warranty repairs or replacements will be made without charge for parts or labor. Parts replaced during warranty repairs will be considered as part of the original product and will have the same warranty period as the original product.

To exercise the warranty, **DO NOT RETURN TO RETAILER**. Instead, call the toll free Customer Service number at (800) 232-1195 and you will be instructed on where to take the generator for warranty service. Take the generator and proof of purchase (the receipt) to the repair facility recommended by the Customer Service Representative. To make a claim under this Limited Warranty, you must make sure to keep a copy of your proof of purchase that clearly defines the Date of Purchase (month and year) and the Place of Purchase. Place of purchase must be a direct vendor of Great Lakes Technologies, LLC. Third party vendors such as garage sales, pawn shops, resale shops, or any other secondhand merchant void the warranty included with this product. Contact [techsupport@wenproducts.com](mailto:techsupport@wenproducts.com) or 1-800-232-1195 to make arrangements for repairs and transportation.

When returning a product for warranty service, the shipping charges must be prepaid by the purchaser. The product must be shipped in its original container (or an equivalent), properly packed to withstand the hazards of shipment. The product must be fully insured with a copy of the warranty card and/or the proof of purchase enclosed. There must also be a description of the problem in order to help our repairs department diagnose and fix the issue. Repairs will be made and the product will be returned and shipped back to the purchaser at no charge.

**THIS LIMITED WARRANTY DOES NOT APPLY TO ACCESSORY ITEMS THAT WEAR OUT FROM REGULAR USAGE OVER TIME INCLUDING BELTS, BRUSHES, BLADES, ETC.**

The warranty does not extend to generators damaged or affected by fuel contamination, accidents, neglect, misuse, unauthorized alterations, use in an application for which the product was not designed and any other modifications or abuse.

WEN® is not liable for any indirect, incidental or consequential damages from the sale or use of this product. Any implied warranties are limited to two (2) years as stated in this written limited warranty. Some states do not allow the exclusion or limitation of incidental or consequential damages. Some states do not allow limitation on the length of an implied warranty. This warranty gives you specific legal rights, and you may have other rights that vary from state to state.

THANKS FOR REMEMBERING

